

SECTION 7

Code	Description	Size
304 STAINLESS STEEL DAIRY FITTINGS		
COMPLIES WITH 3A SANTARY GUIDELINES		
TRI-CLOVER FERRULE HALF		
FERHALF32		32mm 1-1/4"
FERHALF38		38mm 1-1/2"
FERHALF50		50mm 2"
FERHALF63		63mm 2-1/2"
FERHALF76		76mm 3"
FERHALF101		101mm 4"
TRI-CLOVER SEAL		
FERSEAL32		32mm 1-1/4"
FERSEAL38		38mm 1-1/2"
FERSEAL50		50mm 2"
FERSEAL63		63mm 2-1/2"
FERSEAL76		76mm 3"
FERSEAL101		101mm 4"
TRI-CLOVER HEAVY DUTY CLAMP		
FERCLAMP32		32mm 1-1/4"
FERCLAMP38		38mm 1-1/2"
FERCLAMP50		50mm 2"
FERCLAMP63		63mm 2-1/2"
FERCLAMP76		76mm 3"
FERCLAMP101		101mm 4"
TRI CLOVER FERRULE BLANK		
FERBLANK38		38mm 1-1/2"
FERBLANK50		50mm 2"
FERBLANK63		63mm 2-1/2"
FERBLANK76		76mm 3"
REDUCING FERRULE HALF		
FERHALF3850		38-50mm 2"
CONCENTRIC REDUCER FERRULED ENDS		
SSCONRED50X38CE	50x38mm	2" x 1 1/2"
SSCONRED63X50CE	63x50mm	2 1/2" x 2"
90° BEND FERRULED ENDS		
SSBEND9032CE	32mm	1-1/4"
SSBEND9038CE	38mm	1-1/2"
SSBEND9050CE	50mm	2"
SSBEND9063CE	63mm	2-1/2"
SSBEND9076CE	76mm	3"
SSBEND90101CE	101mm	4"



SECTION 7

DAIRY

Code	Description	Size	
45° BEND FERRULED ENDS			
SSBEND4532CE		32mm	1-1/4"
SSBEND4538CE		38mm	1-1/2"
SSBEND4550CE		50mm	2"
SSBEND4563CE		63mm	2-1/2"
TEE FERRULED ENDS			
SSEETEE38CE		38mm	1-1/2"
SSEETEE50CE		50mm	2"
SSEETEE63CE		63mm	2-1/2"
CROSS FERRULED ENDS			
SSCROSS50CE		50mm	2"
SSCROSS63CE		63mm	2-1/2"
BUTTERFLY VALVE FERRULED ENDS			
SSBUTTV38CE		38mm	1-1/2"
SSBUTTV50CE		50mm	2"
SSBUTTV63CE		63mm	2-1/2"
SS TEE BUTTERFLY VALVE LEFT HAND ASSEMBLY 1NO 1NC, CLAMP ENDS			
SS2BUTTTEEL38CE		38mm	1-1/2"
SS2BUTTTEEL50CE		50mm	2"
SS TEE BUTTERFLY VALVE RIGHT HAND ASSEMBLY 1NO 1NC, CLAMP ENDS			
SS2BUTTTEE38CE		38mm	1-1/2"
SS2BUTTTEE50CE		50mm	2"
SS2BUTTTEE63CE		63mm	2-1/2"
BUTTERFLY VALVE GASKET ONLY			
SSBUTTG038		38mm	
SSBUTTG050		50mm	
SSBUTTG063		63mm	
90° BEND WELD ENDS			
SSBEND9032		32mm	1-1/4"
SSBEND9038		38mm	1-1/2"
SSBEND9050		50mm	2"
SSBEND9063		63mm	2-1/2"



SECTION 7

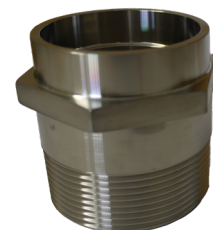
Code	Description	Size	
90° BEND LONG ENDS			
SSBENDL9032		32mm	1-1/4"
SSBENDL9038		38mm	1-1/2"
SSBENDL9050		50mm	2"
SSBENDL9063		63mm	2-1/2"
SSBENDL9076		76mm	3"
45° BEND WELD ENDS			
SSBEND4532		32mm	1-1/4"
SSBEND4538		38mm	1-1/2"
SSBEND4550		50mm	2"
SSBEND4563		63mm	2-1/2"
45° BEND LONG WELD ENDS			
SSBENDL4532		32mm	1-1/4"
SSBENDL4538		38mm	1-1/2"
SSBENDL4550		50mm	2"
TEE WELD ENDS			
SSETEE38		38mm	1-1/2"
SSETEE50		50mm	2"
CROSS WELD ENDS			
SSCROSS50		50mm	2"
SSCROSS63		63mm	2-1/2"
CONCENTRIC REDUCER WELD ENDS			
SSCONRED50X38		50x38mm	2" x 1 1/2"
SSCONRED63X38		63x38mm	2 1/2" x 1 1/2"
SSCONRED63X50		63x50mm	2 1/2" x 2"
SS NRV SPRING ONLY			
SSNRVSP050		50mm	2"
SS NRV O-RING ONLY - BLACK			
SSNRVORN050		50mm	2"



SECTION 7

DAIRY

Code	Description	Size	
NON RETURN VALVE WITH DRAIN			
SSNRV50CED		50mm	2"
SS NRV SERVICE KIT			
SSNRVSK050		50mm	2"
2 PIECE BALL VALVE			
SSBV2P20		20mm	3/4"
SSBV2P25		25mm	1"
SSBV2P32		32mm	1-1/4"
SSBV2P38		38mm	1-1/2"
SSBV2P50		50mm	2"
3X WAY VALVE			
SS3WVTP25		25mm	1"
SS3WVTP32		32mm	1-1/4"
SS3WVTP38		38mm	1-1/2"
SS3WVTP50		50mm	2"
PNEUMATIC BUTTERFLY VALVE FERRULED ENDS			
SSBUTTPV25CE		25mm	1"
SSBUTTPV50CE		50mm	2"
SSBUTTPV63CE		63mm	2-1/2"
SSBUTTPV76CE		76mm	3"
SSBUTTPV101CE		101mm	4"
PNEUMATIC ANGLE VALVE			
SSANGLEPV15		15mm	1/2"
SSANGLEPV20		20mm	3/4"
SSANGLEPV25		25mm	1"
SSANGLEPV32		32mm	1-1/4"
SSANGLEPV38		38mm	1-1/2"
SSANGLEPV50		50mm	2"
SSANGLEPV63		63mm	2-1/2"
SSANGLEPV76		76mm	3"
SS BSP SLIP ON FITTING			
SSSLIPBSP32		32mm	1/1/4"
SSSLIPBSP38		38mm	1-1/2"
SSSLIPBSP50		50mm	2"
SSSLIPBSP63		63mm	2-1/2"
SSSLIPBSP76		76mm	3"



SECTION 7

Code	Description	Size	
TANK FITTING			
SSTANK20		20mm	3/4"
SSTANK25		25mm	1"
SSTANK32		32mm	1-1/4"
SSTANK40		38mm	1-1/2"
SSTANK50		50mm	2"
SSTANK65		65mm	2-1/2"
SSTANK80		80mm	3"
CIP BALL WITH FEMALE BSP			
SSCIP19		19mm	3/4"
FERRULE HALF MALE BSP			
FERBSP3825		38mm x 25mm	
FERBSP3832		38mm x 32mm	
FERBSP5038		50mm x 38mm	
FERBSP6350		63mm x 50mm	
FERBSP7663		76mm x 63mm	
SS VAT RECIRCULATION CONNECTION & BAYONET			
SSVC38		36mm x 76mm	
SSVC50		51mm X 76mm	



Code Description Size

RHEEM DAIRY ELECTRIC WATER HEATERS

Rheem dairy water heaters are made to “A” grade specifications, meaning better insulation and efficiency. The water heater comes pre-wired, and are fitted with 3kW/6kW dual element. It is wired for 3kW but can easily be adjusted to 6kW to provide faster recovery. Heaters are also supplied with two independent adjustable single-pole thermostats.

The adjustable temp can be set between 60 and 95 degrees. They are set to cut out at 95 degrees.

New design with the position of the element and thermostat close to the outlet and sight glass and moving handles.

Galv Jacketed Copper Inner Tank with 50mm foam insulation (low pressure). Tank wall is 0.7mm.

Features and benefits include:

- Space saving - closer manifolding. The element and thermostat can be serviced from the front.
- Ease of serviceability - access to the element and thermostat is as easy as removing the front cover
- Easy to install and move - moving handles mean the large dairy cylinders are easy to manoeuvre in and out of position
- Optional hard water elements available on request at an additional cost.

Warranty: 5 years cylinder and 1 year parts and labour specifications.

DCY250	250 litre
DCY350	350 litre
DCY450	450 litre
DCY600	600 litre

NOTE: Tap not included with heater

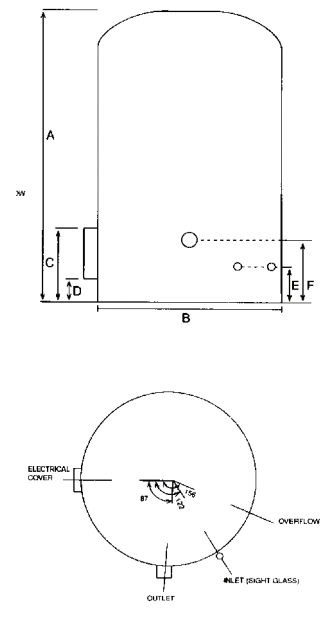


250-350-450 Litre Electric Water Heaters



600 Litre Electric Water Heaters

Code	DCY250	DCY350	DCY450	DCY600
Size	250 litre	350 litre	450 litre	600 litre
Nominal Dimensions				
A	1225	1510	1800	1880
B	760	760	760	835
C	385	385	385	415
D	120	120	120	150
E	186	186	186	216
F	360	360	360	390
Weight (Approx. weight empty)				
	50kg	60kg	70kg	80kg





INSTALL A RHEEM™

SECTION 7

DAIRY



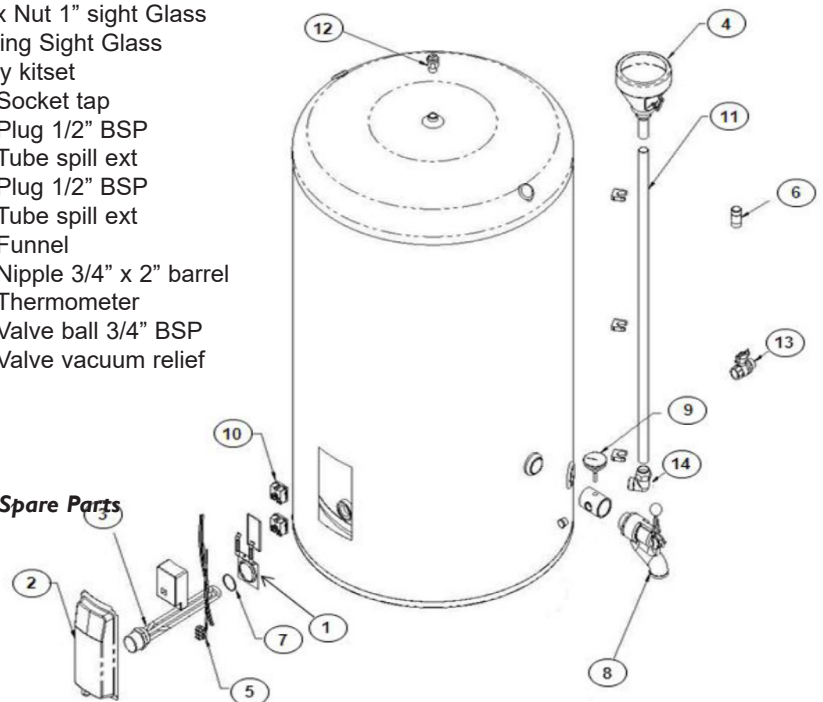
Code Description Size

HOT WATER DAIRY CYLINDER SPARE PARTS

DCY319105	Element 15180 (All models - 3kW/6kW Dual Element)
DCY14909	350L Sight Glass Tube
DCY14910	450L Sight Glass Tube
DCY14924	Plastic Funnel
DCY14933	Socket Tap DB plus 1 x Plug
DCY14935	Outlet Thermometer for all models
DCY315948	Thermostat Kit complete with wiring loom
DCY15176	Dairy Cylinder Kit Set
DCY315784	Vacuum Relief Valve (top of tank) all models
DCY314942	Male Brass Elbow 25mm (for end of sight glass)
DCY14933	Dairy Cylinder Socket Tap DB

Item	Part No.	Description
1	11599 *	Thermostat clamp
2	314165 *	Thermostat cover deep
	316466 *	Thermostat cover slim
3	DCY15180	Element 3/6kW nickel
4	DCY14924	Funnel
5	14916 *	Wiring loom
6	10151 *	Nipple 3/4" x 2"
7	10908 *	Element O-Ring
8	90343 *	Tap 40mm
9	DCY14935	Thermometer
10	315948	Thermostat kit (wiring loom)
11	14907 *	Sight glass tube 250L
	DCY14909	Sight glass tube 350L
	DCY14910	Sight glass tube 450L
12	DCY315784	Vacuum relief valve AVH50
13	10170 *	Ball valve 3/4"
14	DCY314942 *	Elbow brass 1"
	DCY14933	Dairy Cylinder Socket Tap DB
N/S	DCY316197 *	O-Ring & Tap Washer
N/S	DCY315782*	Ferule Insert -sight
N/S	DCY310155*	Crox Nut 1" sight Glass
N/S	DCY315036*	O-Ring Sight Glass
N/S	DCY15176	Dairy kitset

- 1 x Socket tap
- 1 x Plug 1/2" BSP
- 1 x Tube spill ext
- 1 x Plug 1/2" BSP
- 1 x Tube spill ext
- 1 x Funnel
- 1 x Nipple 3/4" x 2"
- 1 x Thermometer
- 1 x Valve ball 3/4" BSP
- 1 x Valve vacuum relief

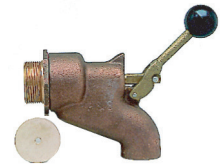


*** Note: Hydroflow do not hold inventory of all Rheem Spare Parts please contact Rheem on 0800 657 336.**

Code Description Size

DAIRY COCK

- Cast brass
- Low Pressure (60 kPa) hot and cold water tap
- 38mm Inlet
- Can be locked in the open position,
- High Volume flow,
- Completely Noncorrosive
- Instant On/Off lever operation



DC40	40mm
DCW	Washer
DCS	Spindle Only

DAIRY COCK FIBRE WASHER

DCFW38 38mm



PEERS SCOURER PADS

- Supplied in packs of 10
- Excellent for cleaning machinery and surface preparation
- Can be rinsed clean, will not rust or shred
- Suitable for use with most cleaners and solvents

H1607 Heavy Duty Abrasive - Green



H1608 Super Heavy Duty Abrasive - Charcoal

