

Code	Description	Size	PN Rating	Unit
------	-------------	------	-----------	------

**ABEY SPEEDCLIP FOR PVC PIPE**

- Click and Go system
- Dual layer galvanised and powder coated clips
- No nuts or bolts to attach clip to bracket

A-7001		40mm		
A-7002		50mm		
A-7003		65mm		
A-7004		80mm		
A-7005		100mm		


**ABEY SPEEDCLIP HANGING BRACKET**

Quality galvanised Australian G2 – Z275 steel brackets

A-7059		300mm		
A-7064		600mm		


**ABEY SPEEDCLIP ABEY SPEEDCLIP STAND OFF BRACKET**

Quality galvanised Australian G2 – Z275 steel brackets

A-7060	Stand Off Bracket			
--------	-------------------	--	--	--


**ABEY SPEEDCLIP ABEY SPEEDCLIP ALL THREAD BRACKET**

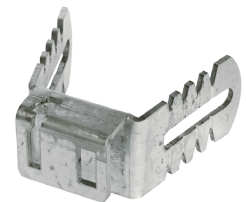
Quality galvanised Australian G2 – Z275 steel brackets

A-7061	Abey Speedclip All Thread			
--------	---------------------------	--	--	--

**ABEY SPEEDCLIP ADJUSTABLE SPEEDCLIP STAND OFF BRACKET**

Quality galvanised Australian G2 – Z275 steel brackets

A-7080	Abey Speedclip Adjustable Stand Off Bracket			
--------	---	--	--	--



## SECTION 9

# PLUMBING HARDWARE

Code	Description	Size	PN Rating	Unit
------	-------------	------	-----------	------

### DOMESTIC BOLTED CLIPS FOR DWV PIPE

Galvanised and powder coated white

A-0000	DN32	32mm (not in Abey Catalogue)	
A-0001	DN40	40mm	
A-0002	DN50	50mm	
A-0003	DN65	65mm	
A-0004	DN80	80mm	
A-0005	DN100	100mm	
A-0006	DN150	150mm	



### GALVANISED BOLTED CLIPS FOR GALVANISED BSP PIPE

Interchangeable clipping system to be used with shanks/brackets and extensions

A-0020	DN100	NOMINAL BORE 100
--------	-------	------------------

### RECOMMENDED PIPE CLIP SUPPORT TABLE

NOMINAL COPPER/ STEEL PIPE SIZE	MAXIMUM SPACING OF BRACKETS & CLIPS (METRES)	NOMINAL PLASTIC PIPE SIZE	MAXIMUM SPACING OF BRACKETS & CLIPS (METRES)	
			HORIZONTAL	VERTICAL
DN20	1.5	DN20	.70	1.40
DN25	2.0	DN25	.75	1.50
DN32	2.5	DN32	.85	1.70
DN40	2.5	DN40	.90	1.80
DN50	3.0	DN50	1.05	2.10
DN65	3.0	DN65	1.20	2.40
DN80	4.0	DN80	1.30	2.60
DN90	4.0	DN90	1.40	2.80
DN100	4.0	DN100	1.50	3.00
DN125	4.0	DN125	1.70	3.40
DN150	4.0	DN150	2.0	4.0

**Disclaimer**

*The information in this publication has been assembled for guidance only. Care has been taken to ensure accuracy, but no liability can be accepted for any consequences which may arise as a result of its application.*

Code	Description	Size	PN Rating	Unit
------	-------------	------	-----------	------

### BOLTED CLIPS FOR PRESSURE PIPE

Galvanised powder coated white

Interchangeable clipping system to be used with shanks/brackets and extensions

A-0040	DN15	15mm		
A-0041	DN20	20mm		
A-0042	DN25	25mm		
A-0043	DN32	32mm		
A-0044	DN40	40mm		
A-0045	DN50	50mm		
A-0046	DN65	65mm		
A-0047	DN80	80mm		
A-0049	DN90	90mm		
A-0048	DN100	100mm		
A-0072	DN150	150mm		



### BRACKET & SHANKS

A-5160	Munzing Ring Base Plate	10mm		
A-5168	Munzing Ring Base Plate	12mm		
A-0059	Galvanised Light Hanging Bracket	300mm		
A-0082	Galvanised Light Hanging Bracket	600mm		
A-0060	Galvanised Stand Off Bracket			
A-0078	Powder Coated White Stand Off Bracket			
A-0061M	All Thread Bracket	10mm		
A-0079	Adj Stand Off Bracket Coated			
A-0080	Adj Stand Off Bracket			
A-0063	Galvanised Welded Nut	10mm		
A-0068	Hi Tensile Zinc Nut & Bolt for Hangman Clip			

Code	Description	Size	PN Rating	Unit
------	-------------	------	-----------	------

### INDUSTRIAL BOLTED CLIPS STAND OFF CLIP FOR PVC(DWV) PIPE

Galvanised powder coated (white) without welds to eliminate corrosion.

A-0120		40mm		
A-0121		50mm		
A-0122		65mm		
A-0123		80mm		
A-0126		90mm		
A-0124		100mm		
A-0125		150mm		



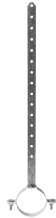
### DOMESTIC HANGMAN CLIPS FOR DWV PIPE

450mm Shank

Manufactured from G2-2275 galvanised steel, with no welds reducing the risk of corrosion.

20 per carton

A-0150		40mm		
A-0151		50mm		
A-0152		65mm		
A-0153		80mm		
A-0156		90mm		
A-0154		100mm		



### PERFORATED STRAPPING

A-0432		25 x .8 x 15 Mtrs		
A-0433		25 x .8 x 30 Mtrs		
A-0460		30 x .8 x 15 Mtrs		
A-0461		30 x .8 x 30 Mtrs		
A-0462		30 x 1 x 15 Mtrs		
A-0463		30 x 1 x 30 Mtrs		

### DOMESTIC GALVANISED SADDLE CLIP FOR BSP PIPE

A-1400	Nominal Bore 15	15BSP		
A-1401	Nominal Bore 20	20BSP		
A-1402	Nominal Bore 25	25 BSP		
A-1403	Nominal Bore 32	32 BSP		
A-1404	Nominal Bore 40	40 BSP		
A-1405	Nominal Bore 50	50 BSP		



### FOR POLY PIPE

A-1433		25mm		
--------	--	------	--	--

### SADDLE CLIP – TWIST FOR BSP PIPE

A-1447		25mm		
A-1448		32mm		
A-1450		50mm		

### STAND OFF FOR DWV PIPE

Galvanised powder coated white

A-1691		40mm		
A-1692		50mm		
A-1693		100mm		
A-1694		65mm		
A-1695		80mm		



Code	Description	Size	PN Rating	Unit
------	-------------	------	-----------	------

**DOMESTIC POWDER COATED WHITE SADDLE FOR PVC (DWV) PIPE**

A-1706		40mm DN40		
A-1707		50mm DN50		
A-1708		65mm DN65		
A-1709		80mm DN80		
A-1710		100mm DN100		
A-1712		150mm		


**SADDLE**

Suitable for Stormwater

A-1910		90mm		
A-1696	Stormwater pipe saddle	90mm		

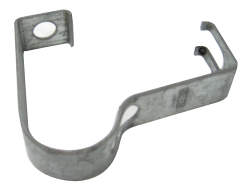

**COVER PLATE**

A-2641	BSP Flat Chrome plated 12mm			
A-2642	BSP Chrome plated 15mm x 9mm Rise			
A-2673	BSP Chrome plated Flat 20mm			
A-2704	BSP White 15mm x 9mm Rise			


**PEAR CLIPS (SPEED CLIPS)**
**INDUSTRIAL PEAR CLIPS FOR PVC PIPE POWDER COATED WHITE**

Snap lock action

A-P100C		100mm BSP		
---------	--	-----------	--	--


**PEAR CLIP FOR BSP PIPE GALVANISED**

Snap lock action

A-P20	20mm NOMINAL BORE	20MM BSP		
A-P25	25mm NOMINAL BORE	25MM BSP		
A-P32	32mm NOMINAL BORE	32MM BSP		
A-P40	40mm NOMINAL BORE	40MM BSP		
A-P50	50mm NOMINAL BORE	50MM BSP		
A-P65	65mm NOMINAL BORE	65MM BSP		

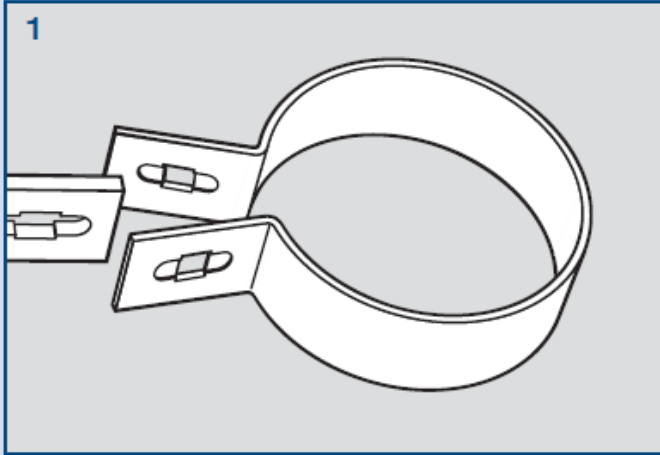

**PEAR CLIP FOR COPPER PIPE**

Snap lock action

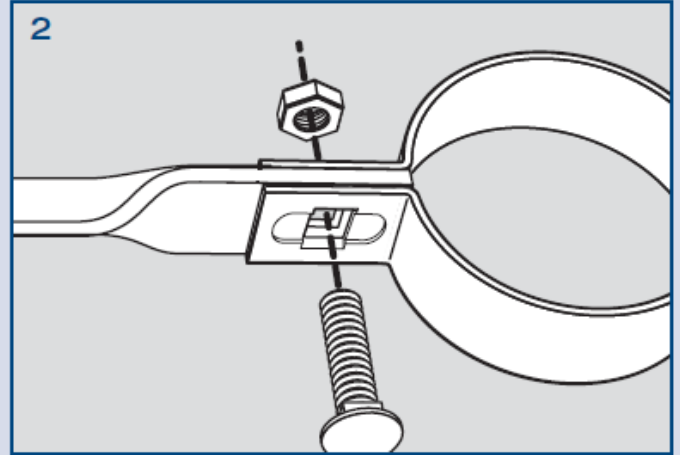
A-P80	DN80	80mm		
A-P150	DN 150	150mm		

## SECTION 9

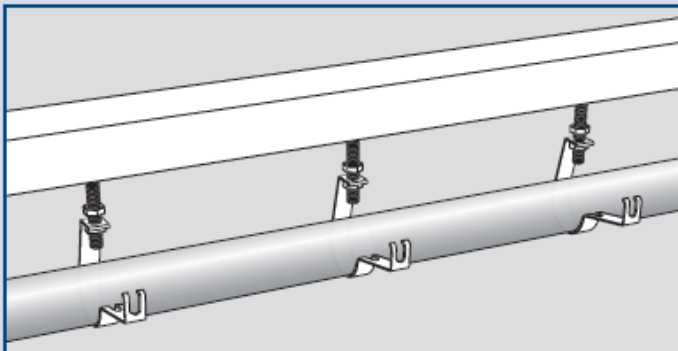
Code	Description	Size	PN Rating	Unit
------	-------------	------	-----------	------



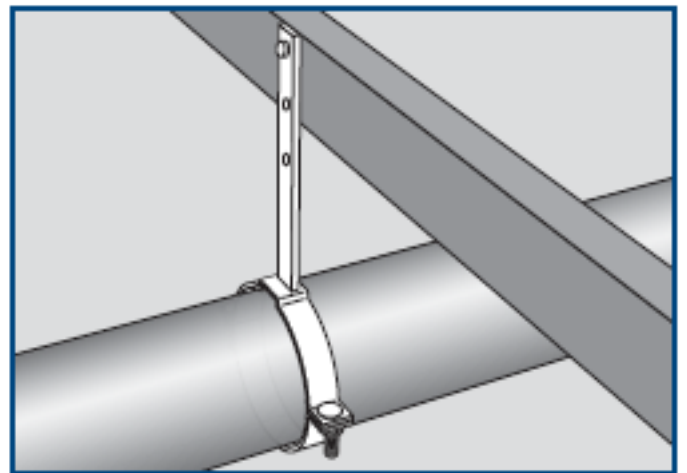
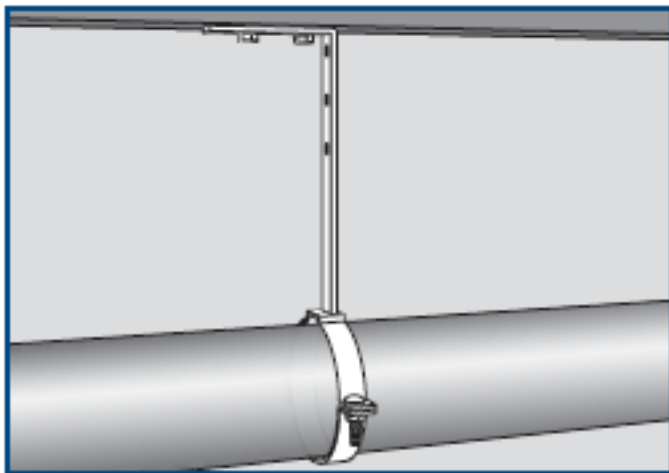
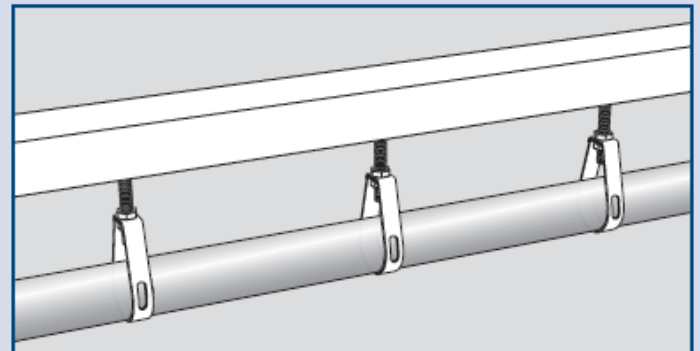
Abey's Bolted Clipping System is the only fully engineered system featuring elongated recess and square hole.



These features ensure correct positioning and non-movement across the highly versatile, interchangeable system of clips and brackets.



Abey Pear Clips will support the pipe, allowing any adjustments to be made prior to tightening. Once pipe is correctly positioned you simply "snap lock" the Pear Clip shut and tighten top nut.

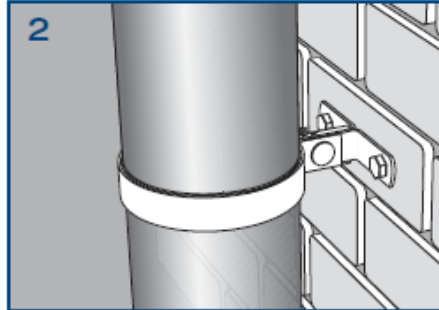
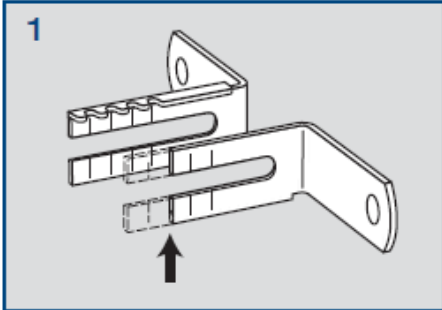


Hanging clips can be bent and fixed to concrete slab at 2 points (above left), or fixed directly into bearer (above right). Simply trim to length.

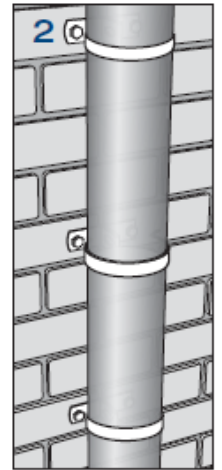
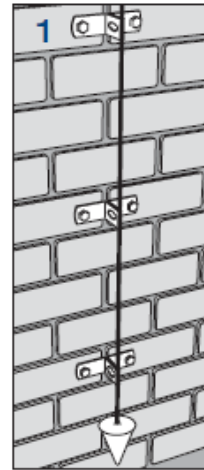
# SECTION 9

## PLUMBING HARDWARE

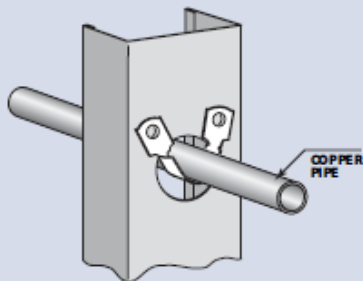
Code	Description	Size	PN Rating	Unit
------	-------------	------	-----------	------



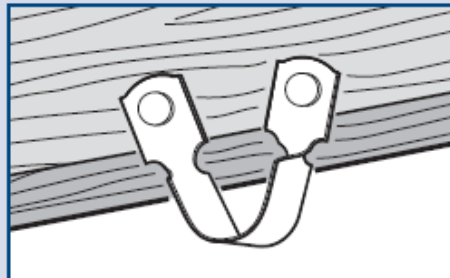
**1** Abey's Adjustable Stand Off Bracket comes in two pieces. Simply measure distance for pipe to stand off wall, and snap off bracket at appropriate size. **2** Bracket is then simply used as a normal stand off bracket.



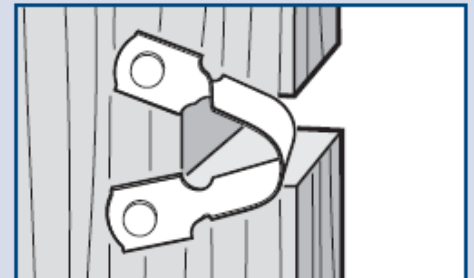
**1** Abey's Stand Off Bracket is simple to align using a plumb bob. **2** Suitable pipe clips and pipe can then be simply attached, leaving the stand off brackets neatly hidden behind pipe.



Side Saddle Clips Nylon Coated for copper pipe.



Typical floor bearer application.



Typical stud wall application.

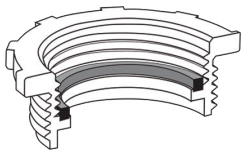
SECTION 9

PLUMBING HARDWARE

Code                      Description                      Size                      PN Rating                      Unit



Squat 40 x 32mm self sealing trap adaptor with washer - no need to use thread tape on waste



High quality silicone washers provide superior long term seal

Low height vent - no need for extendable traps to be used in most installations

Nut easily cuts down to fit short waste threads



1

2

3

4

Full radius bends for better flow and less blockages

8

5

Double O-rings in swivel joint for improved sealing

7

Waste nut retainer ring makes one handed installation easy in awkward positions like under baths

6

40mm

32mm



Outlet seal is easy to cut or pull apart to adapt to 40mm or 32mm PVC pipes



## SECTION 9

Code	Description	Size	PN Rating	Unit
------	-------------	------	-----------	------

### PLUMBEST TRAPS

MFT32/40	Multi-Fit Trap	32/40mm		
----------	----------------	---------	--	--



MFTW32/40	Multi-Fit Trap with Waste	32/40mm		
-----------	---------------------------	---------	--	--



MFEPPT32/40	Multi-Fit Extendable Plumtite "P" Trap			
-------------	--	--	--	--



MFET32/40	Multi-Fit Extendable Trap			
-----------	---------------------------	--	--	--



MFETW32/40	Multi-Fit Extendable Trap with Waste			
------------	--------------------------------------	--	--	--



MFETDW40	Multi-Fit Extendable Trap with Dishwasher Outlet			
----------	--	--	--	--



MFEFT32/40	Multi-Fit Extendable Flexi Trap			
------------	---------------------------------	--	--	--



## SECTION 9

# PLUMBING HARDWARE

Code	Description	Size	PN Rating	Unit	
MFETDW40	Multi-Fit Extendable Flexi Trap with Dishwasher Outlet	40mm			
MFTV32/40	Multi-Fit Trap with Air Admittance Valve	32/40mm			
MFTVW32/40	Multi-Fit Trap with Air Admittance Valve and Waste	32/40mm			
MFETV32/40	Multi-Fit Extendable Trap with Air Admittance Valve	32/40mm			
MFETVDW40	Multi-Fit Extendable Trap with Air Admittance Valve and Dishwasher Outlet	40mm			
MFETVDWW40	Multi-Fit Extendable Trap with Air Admittance Valve, Dishwasher Outlet and Waste	40mm			

Code	Description	Size	PN Rating	Unit
------	-------------	------	-----------	------

**MULTI-FIT CLIPS WATER - EXPANDABLE**

Clips expand to fit different diameter pipe, suitable for *Polybutylene, Pex and Copper Pipe with multiple attachment methods.*

MFC15	14.5mm to 16.5mm outside diameter (OD)			100/bag
MFC15P	14.5mm to 16.5mm outside diameter (OD)			10/bag
MFC20	21mm to 23mm outside diameter (OD)			50/bag
MFC20P	21mm to 23mm outside diameter (OD)			10/bag



Polybutylene pipe



Pex pipe



Copper pipe

**MULTI-FIT CLIPS WASTE PIPE**

- One clip - multiple pipe sizes suitable for 32mm/40mm/50mm
- Clips can be fixed to walls before fitting pipes.
- Fast installation.
- Tight grip prevents slipping and rattling.
- Handy notches show you where to trim the strap, then just insert the strap into the base to secure.
- Insert a screwdriver in the base slot to quickly undo the clip if you need to make adjustments.



MFC32/40/50	32mm/40mm/50mm
-------------	----------------



**MULTI-FIT FLANGES - EXPANDABLE**

*Flange specifically designed to accommodate different pipe diameters*

MFF15	14mm to 19mm outside diameter (OD)	50/bag
MFF20	20mm to 25mm outside diameter (OD)	50/bag
MFF3240	36mm to 48mm outside diameter (OD)	50/bag



Code	Description	Size	PN Rating	Unit
------	-------------	------	-----------	------

## STUDOR

Drainage design and soil waste within residential, domestic and commercial buildings is of high importance. Studor has an innovative range of products to suit any architectural drainage system, whether for a new or existing building.

The concept is simple; by providing plumbing ventilation within drainage systems, Studor products will prevent the loss of water seals in traps, and hence bad odours. From residential houses and apartments to sixty floor plus tower blocks, national stadiums and hospitals to some of the tallest buildings in the world, Studor has been leading the way with patented technology for drainage ventilation products since 1975.

### MAXI VENT -AIR ADMITTANCE VALVE - STACK VENTING

This advanced Air Admittance Valve (AAV) protects the trap seals in the drainage system by allowing the intake of air, so a soil pipe can maintain the right level of pressure within the drainage system.

The Maxi-Vent is used in the following types of drainage venting applications and is the universal solution for venting the soil stack in any building:

Low rise residential building (3-4 floors): Used on its own.  
 Building up to 10 floors: Used in conjunction with the Mini-Vent.  
 Above 10 floors: Used as part of the P.A.P.A. System.

STU-MAXIV	Maxi-Vent
-----------	-----------



### MAXI FILTRA- WITH ACTIVE CARBON FILTER TO ELIMINATE BAD ODOURS

The Studor Maxi-Filtra is a robust two-way vent that eliminates bad odours with a sturdy filter designed specifically for outdoor drainage applications. It contains a replaceable active carbon filter that operates as a two-way vent, filtering air in both directions. Its robust design means the Maxi-Filtra can be used vertically or horizontally and can be installed in hard-to-reach places. The aluminium cover provides additional protection in applications like ventilation pipe of septic tanks, water tanks and silos.

STU-MAXIF	Maxi-Filtra
STU-MAXIFC	Maxi-Filtra Cartridge (The replaceable carbon filter should be changed regularly)
STU-ALU	Aluminium Cover



### STUDOR MINI VENT- SINGLE FIXTURE & GROUP VENTING

The Mini-Vent is a solution for any single fixture and for a group of fixtures connected to a single branch, i.e. branch ventilation in residential / domestic and commercial applications. It can also be used with other Studor AAVs to complement larger and high-rise building drainage systems and is ideal for all single fixtures: washing machines, toilets, sinks, baths and showers, etc. This Mini-Vent advanced Air Admittance Valves (AAVs) protects the trap seals in the drainage system by allowing the intake of air, so that the right level of pressure within the drainage system is maintained.

STU-MINIV	Mini-Vent
-----------	-----------



Code	Description	Size	PN Rating	Unit
------	-------------	------	-----------	------

### REDI VENT- SMALL CAPACITY

The unique design of the STUDOR REDI-VENT provides ventilation to prevent the loss of water seals in traps without the need for expensive roof penetration and vent piping.

STU-REDIV	Redi-Vent			
-----------	-----------	--	--	--



### STUDOR TRAP VENT

The compact, highly styled Studor Trap-Vent is a combined trap with a 50mm water seal and an integral AAV, reducing the need for secondary ventilating in small fixture groups and replacing conventional S and P traps. The Trap-Vent protects your trap seal, stopping bad odours coming from empty siphons and eliminating gurgling.

STU-TRAPV	Trap-Vent			
-----------	-----------	--	--	--



### PAPA

The Studor P.A.P.A. (Positive Air Pressure Attenuator) is a revolutionary 'world-first' system developed to resolve the problems of positive pressures (transients / back-pressure) within the drainage systems of multi-storey and high-rise developments. This is the perfect complement to the range of Studor Air Admittance Valves (AAVs), providing a complete venting solution for any multi-storey building over 10 storeys high.

STU-PAPA	PAPA - Positive Air Pressure Attenuator			
----------	---	--	--	--



### STUDOR TEC-VENT

The Tec-Vent is a specialist Air Admittance Valve (AAV) designed for commercial applications and industries where flame retardance is a priority, but is equally suitable for residential use. UL classified in the USA in accordance with UL2043, the Tec-Vent is manufactured from flame retardant material with a high tensile strength, providing savings by reducing the need for expensive flame retardant vent piping.

STU-TECV	Studor Tec-Vent			
----------	-----------------	--	--	--



### STUDOR COMBI-SIPHON

The Trap with its own AAV. The Combi-Siphon Plus provides a compact and aesthetically pleasing solution for drainage problems in existing buildings, plus it gives you a sophisticated yet inexpensive approach for new build installations, while greatly improving the performance of the drainage system.

STU-COMBC	Studor Combi-Siphon (Chrome)			
STU-COMBW	Studor Combi-Siphon (White)			



Code	Description	Size	PN Rating	Unit
------	-------------	------	-----------	------

### HYDROFLOW ROOFTITE FLASHINGS

- EPDM temperature up to 100°C
- Silicone temperature up to 200°C
- Up to 45° pitch
- Oval shape base

RT035S	Silicon Mini	0 - 35mm		
RT070B	Black	0 - 70mm		
RT070S	Silicon	0 - 70mm		
RT50155B	Black	50 - 155mm		
RT50155S	Silicon	50 - 155mm		
RT150255B	Black	150 - 255mm		
RT150255S	Silicon	150 - 255mm		
RT240375B	Black	240 - 375mm		
RT240375S	Silicon	240 - 375mm		



### HYDROFLOW TILETITE FLASHINGS

- EPDM, suitable for temperatures up to 100°C

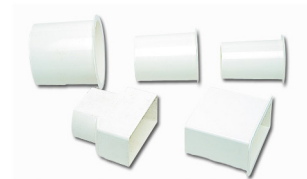
TT-45B	Black	0-45mm		
TT-70B	Black	50-70mm		
TT-150B	Black	110-150mm		



### PVC SPOUTING DROPPER

Plastic - suitable for use with downpipe of pvc or metal.

RD65	Round	65mm		
RD80	Round	80mm		
RD100	Round	100mm		
SD50	Square	50 x 100mm		
SRA80	Square to Round Adapter	80mm		



### PAN CONNECTOR (EPDM)

PANC80	80mm		
PANC100	100mm		



Code	Description	Size	PN Rating	Unit
------	-------------	------	-----------	------

## TAPS

### HOSE TAPS - ANGLE

- Temperature -0.5°C to 95°C.
- Installation type - Deck mounted.
- Threads: ISO228 (equivalent to DIN259 and BS2779)

3515DL		15mm Male		
3515FDL		15mm Female		
3520DL		20mm Male		



### HOSE TAP - ANGLE CHROME

Female Hex Inlet

3515FCH		15mm		
---------	--	------	--	--



### HOSE TAP - KEY HANDLE

3515DLK		15mm		
---------	--	------	--	--



### BUGATTI HOSE TAPS - LONG HANDLE

- Material: Nickel Plated Brass
- Aluminium handle
- Temperature Range 0.5°C to +120°C
- Working Pressure 16 BAR

BHTL15		15mm		
BHTL20		20mm		
BHTL25		25mm		
BHTLH	Handle	25mm		



### BUGATTI HOSE TAIL

- Temperature Range 0.5°C to +120°C
- Working Pressure 16 BAR

BHTAIL15		15mm		
BHTAIL20		20mm		
BHTAIL25		25mm		



### POLYPROPYLENE HOSE TAP

- Chrome plated ball
- PTFE seats
- Not Marine rated
- 16 Bar
- Working temperature range 0°C to +75°C

PPHTL15		15mm		
PPHTL20		20mm		
PPHTL25		25mm		





Code	Description	Size	PN Rating	Unit
------	-------------	------	-----------	------

### DRUM TAPS - PLASTIC

Material: Plastic and includes rubber washer.  
Threading: BSP 3/4"

DT20		20mm		
------	--	------	--	--



### DRUM TAP ZINC BRASS COATED

Can be used with

- petroleum products, except trichloroethylene
- light viscous solvent (adhesives) and other non-flammables liquids.
- Not for use with detergents or water

DTZ20		20mm		
-------	--	------	--	--



### KITCHEN COMBI TAP

Designed to be installed under a sink bench. This tap can be used to connect flexible hoses for tapware and dishwashers.

The design of this tap allows the water to be shut off to both the sink and dishwasher if maintenance is needed, without the need to shut of the mains water supply.

- 15mm Male or Female BSP inlet
- 15mm BSP sink mixer connection
- 20mm BSP dishwasher connection
- Chrome plated brass
- Ceramic disk isolation
- Simultaneous isolation of both outlets
- Up to 70°C temperature range
- 1000 kPa max

KCTF	Female
KCTM	Male



### WASHING MACHINE/DISHWASHER TAPS

1000kPa

Intermittent Temperature Rating -5°C to +95°C

BWM15B	Male Blue Handle	15mm
BWM15R	Male Red Handle	15mm
BWM15FB	Female Blue Handle	15mm
BWM15FR	Female Red Handle	15mm





## SECTION 9

Code	Description	Size	PN Rating	Unit
------	-------------	------	-----------	------

### DOUBLE LIN WASHING MACHINE TAP

Intermittent Temperature Rating -5°C to +95°C  
Threads ISO228B (equivalent to DIN259 and BS2779)

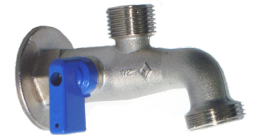
DL2058B	Female Blue Handle	15mm		
DL2058R	Red Blue Handle	15mm		
DL2057B	Male Red Handle	15mm		
DL2057R	Male Red Handle	15mm		



### DISHWASHER DOUBLE OUTLET TAP

1000kPa  
Intermittent Temperature Rating -5°C to +95°C

BDO1520B	Blue Handle	15 x 20mm		
BDO1520R	Red Handle	15 x 20mm		



### WASHERS

 <p>Apex Seat Washer For AP/AB Code: ASW</p>	 <p>Camlock Washer 20 - 100mm Code: CW20 - CW100</p>	 <p>Dairy Cock Fibre Washer 38mm Code: DCFW38</p>	 <p>Washer Large 15 - 50mm Code: HWL15 - HWL50</p>
 <p>Dairy Cock Washer Code: DCW</p>	 <p>Fibre Washer 15mm Code: FW15</p>	 <p>Fibre Washer 20mm Code: FW20</p>	 <p>Washer Large 80 - 100mm Poly Code: HWL80P - HWL100P</p>
 <p>Flow Joe Tail Washer Code: FJTW</p>	 <p>Gas Washer 15 - 20mm Klingsil C4430 glass fibre for Bugatti Swivels Code: GW15K - GW20K</p>	 <p>Gas Washer Aluminium for Ball Valves 15 - 25mm Code: GW15A - GW25A</p>	 <p>Washer 15 - 50mm (for HTFB) Code: HW15 - HW50</p>

## SECTION 9

# PLUMBING HARDWARE

Code	Description	Size	PN Rating	Unit
				
	Washer Large 80 - 100mm Rubber <b>Code: HWL80R - HWL100R</b>			
				
	Multi Fit Washer Kits 32mm 40mm <b>Code: MFWK3240</b>			
				
	Parigi Washer Black EPDM Flat 15 - 20mm Flat <b>Code: P15W - P20W</b>			
				
	Parigi Washer 15mm Conical (Loose) <b>Code: P15WC</b>			
				
	Parigi Washer 15mm Conical White (Tight) <b>Code: P15WCW</b>			
				
	Teflon Washer 15 - 25mm <b>Code: P15TW - P25TW</b>			
				
	Washer 15mm for CTH15 and CTF15 <b>Code: P15HW</b>			
				
	Parigi Washer 15mm Flat and Thick <b>Code: P15WT</b>			
				
	Apex Back Nut Washer 15 - 25mm <b>Code: PBNW15 - PBNW25</b>			
				
	Parigi Water Flexi Hose Washer 20 - 32mm <b>Code: P20WF - P32WF</b>			
				
	Reservoir Valve Seat Washer 20mm <b>Code: PRES20</b>			
				
	Poly Washer 15 - 50mm <b>Code: PW15 - PW50</b>			
				
	Water Meter Washer 15 - 20mm <b>Code: WMW15 - WMW20</b>			
				
	Spare F/F Valve Seat Washer 20mm <b>Code: SP88</b>			
				
	Spare 15mm Hi Lo Seat Washer <b>Code: SP89</b>			
				
	Spare 20mm Hi Lo Seat Washer (Old Style) <b>Code: SP90</b>			

## SECTION 9

**Code                      Description                      Size                      PN Rating                      Unit**

### UNISEAL®

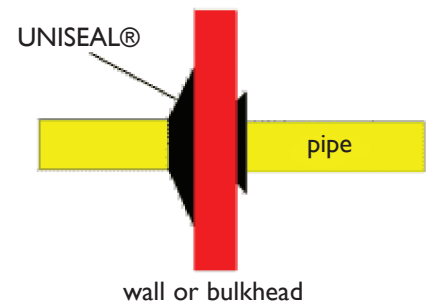
- Long Life
- Easy to install
- Replaces most bolt-on flanges
- Can withstand suction, acids and oils, sewerage and waste, heat and cold
- 3-12mm Wall thickness

CODE	SIZE	PIPE ID	PIPE OD	HOLESAW SIZE
U018		3/16"	6mm	10.0mm
U025		1/4"	10mm	12.7mm
U038	10	3/8"	17mm	25.4mm
U050	15	1/2"	21mm	31.7mm
U075	20	3/4"	27mm	31.7mm
U100	25	1"	33mm	44.4mm
U125	32	1 1/4"	42mm	50.8mm
U150	40	1 1/2"	48mm	63.5mm
U200	50	2"	60mm	76.2mm
U300	80	3"	89mm	101.6mm
U400	100	4"	114mm	127.0mm
U400-35		4"	110mm	127.0mm
U600		6"	168mm	178.0mm
U600-35	SW	6"	160mm	178.0mm

**Metric Hole Tolerance +2mm**

**Installation Instructions:**

1. Cut hole to the Holesaw size indicated for the UNISEAL® you are using. (see above).  
Example: 3" UNISEAL® = 4" Hole (Holesaw).
2. Ensure that the hole is clean cut with sharp edges. Irregularities could cause poor seating and leakage.
3. Insert the UNISEAL® into the hole with the wide side facing the pipe to be inserted.
4. Make certain that the pipe end to be inserted is clean cut. File the edges so that there are no sharp points to cut UNISEAL®.
5. Using Detergent, lubricate the outside of the pipe end to be inserted, then push the pipe through the UNISEAL® from the large flange side. The detergent will be squeezed off as the pipe passes through the UNISEAL®. The co-efficient of friction of the rubber holds the pipe tightly in place.



Code	Description	Size	PN Rating	Unit
------	-------------	------	-----------	------

## PLUMBEST WASTES

### MULTI-FIT WASTES 32-40MM

The Multi-fit waste fit all sink and basin waste outlets adapting to long tail, short tail and overflows.

- 304 stainless steel grate and screw.
- Polypropylene with fibre body.
- Sanoprene washers.

MFW32	Multi-fit	32mm		
MFWG32	Gold Multi-fit	32mm		
MFW40	Multi-fit	40mm		
MFWG40	Gold Multi-fit	40mm		
SHW	Chrome plated Shower Waste	40mm		
RGW40	White Removable Grate Waste	40mm		
RGW40SSP	Removable Grate Waste with stainless steel plug	40mm		



### PLUMBEST WASTE SPARE PARTS

Plugs fit all Multi-Fit and Removeable Grate Wastes

MFWK3240	Multifit Washer Kits	32mm/40mm		
MFP3240	Multifit White Plastic Plug	32mm/40mm		
MFP3240R	Multifit Black Rubber Plug	32mm/40mm		
MFP3240SS	Multifit Stainless Steel Plug	32mm/40mm		

## GRATE SEALS

The Grate Seal® range is a durable, self fitting seal making it the perfect solution for any drain causing odour issues or requiring vermin prevention.

Unlike other drainage solutions available to the market, Grate Seal® products are a flexible, single piece unit that can be easily installed and doesn't require any cleaning or maintenance. This range can be quickly retrofitted into any existing drain without affecting the surrounding flooring.

GS50	Grate Seal for 50mm Pipes		
GS01	Grate Seal for 80mm & 100mm Pipes		
GSBT	Grate Seal Bucket Trap		



Code	Description	Size	PN Rating	Unit
------	-------------	------	-----------	------

## WATER METER BOX

### STANDARD LOW PROFILE SURFACE BOX

The new generation standard meter box has been engineered to deliver increased structural strength in both top loading and lateral loading.

The new feature of the turned down top lip gives this box 10 times the lateral strength of its predecessor designed to allow greater external packing loads.

The width and length at the base have been increased to allow for greater working room

Suitable for use with manifold and inline water meters.

The base and lid are connected by galvanised steel chain, and aluminium rods are placed on the underside of the lid for location purposes.

Measurements: Top: 290 mm x 445 mm, Bottom: 220 mm x 380 mm, Height: 230 mm

WMB	Blue Lid
WMBB	Black Lid



### REVERSED TAPER SURFACE BOX

- The Reverse Taper Box provides a larger working area at the base.
- The new generation base with extra ribs and extra wall thickness makes this product now even stronger.
- Suitable for use with bulk water meters, fire hydrants, irrigation equipment and any other product requiring protection from surface traffic.
- Tapered with stacking lugs makes storage and cartage easier and cheaper
- The base and lid are connected by galvanized steel chain, and aluminium rods are placed on the underside of the lid for location purposes.

#### LOW PROFILE

Measurements: Top: 290 mm x 445 mm, Bottom: 350 mm x 510 mm, Height: 230 mm

DRA30/1	Black Lid
DRA30/2	Blue Lid



#### TALL PROFILE

Measurements: Top: 290 mm x 445 mm, Bottom: 350 mm x 510 mm, Height: 280 mm

DRA40/2	Blue Lid
---------	----------

### UNIVERSAL EXTRA TALL SURFACE BOX

- Suitable for Water Meters, Control Valves, Sluice Valves, Peat Valves, Gas, Electricity and Irrigation Equipment.
- Tapered with stacking lugs makes storage and cartage easier and cheaper.
- The base and lid are connected by galvanized steel chain, and aluminium rods are placed on the underside of the lid for location purposes.

Measurements: Top: 230 mm x 260 mm, Bottom: 300 mm x 400 mm, Height: 345 mm

DRA70/2	Blue Lid
---------	----------

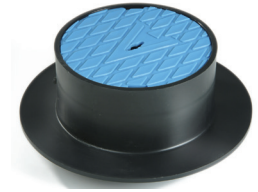


Code	Description	Size	PN Rating	Unit
------	-------------	------	-----------	------

### SURFACE ROUND VALVE BOX

- Aluminium pins are attached to the underside of the lid for location by metal detector
- Designed to be installed with pre-cast concrete slabs if required
- Base diameter designed to fit over 150mm diameter and 200mm diameter

DRA80/2	Water Valve Box with Round Blue Lid			
---------	-------------------------------------	--	--	--



### GAS METER BOX - YELLOW LID

- Suitable for sluice valves, peat valves and control valves.
- Tapered with stacking lugs makes storage and cartage easier and cheaper.
- The base and lid are connected by galvanized steel chain, and aluminium rods are placed on the underside of the lid for location purposes.

Measurements: Top: 230 mm x 260 mm, Bottom: 325 mm x 285 mm, Height: 145 mm

DRA50/8	Universal Small Box - Yellow Lid			
---------	----------------------------------	--	--	--



Code	Description	Size	PN Rating	Unit
------	-------------	------	-----------	------

## PLUMBQWIK™ RANGE

Connecting above ground waste pipes

PlumbQwik™ is a range of plumbing couplings by Fernco for above ground drainage applications, commonly found under kitchen sinks, shower trays, baths, behind washing machines etc.

Unlike many other plumbing couplings on the market, PlumbQwik's can connect any material pipe, provided it fits within the products size range. Made from flexible PVC, the couplings can also adapt to imperfect pipe alignment, making them ideal for repair scenarios and rectifying previous bad workmanship.

The product range covers all common pipe sizes as straight or adaptor (or reducer) applications.

- Creates a watertight seal between two plain ended pipes
- Designed for waste and grey water applications
- Connect what would normally be incompatible pipe systems
- Large range of straight and adaptor variations
- Extremely easy to fit using a nut driver or screw driver
- Remove and re-fit as required

## STRAIGHT PLUMBQWIK™ RANGE

F1056-075	21-29
F1056-32m	30-39
F1056-40M	36-45
F1056-50M	47-56
F1056-65M	61-70
F1056-M33	75-84
F1056-90M	81-92
F1056-100M	100-113
F1055-44	110-123
F1004-44	131-146
F1056-150M	150-163
F1055-66	161-179
F1001-66	180-193
F1004-66	190-200
F1056-88	203-222
F1056-225M	240-256
F1056-1010	260-274
F1055-1010	265-282
F1004-1010	299-317
F1001-1212	348-371
F1056-1515	368-400
F1001-1515	414-462





## SECTION 9

# PLUMBING HARDWARE

Code	Description	Size	PN Rating	Unit
<b>ADAPTOR PLUMBQWIK™ RANGE</b>				
F1056-40/32M			36-45	29-37
FDTC-215			50-59	30-39
F1056-5040M			50-59	37-46
F1056-32			75-86	50-59
F1056-43			100-113	75-86
F1056-100/90M			100-113	81-92
F1056-42			102-114	56-62
F1051-44			110-123	100-113
F1006-43			127-142	80-92
F1006-100M			130-143	100-113
F1056-64			160-171	104-116
F1051-64			164-178	101-112
F1051-66			164-178	149-164
F1002-66			177-190	152-162
F1006-64			187-199	101-111
F1006-150M			185-198	150-163
F1004-86			250-260	188-198
F1006-225M			268-284	241-257
F1006-1010			298-320	259-269
F1002-1212			339-368	301-320
F1006-1212			400-417	302-318
F1002-1515			440-452	370-383



### EXPANSION JOINT PLUMBQWIK™ RANGE

Ideal for connecting vertical waste pipes which are subject to thermal expansion/contraction.

	Size Range (mm)	Maximum Expansion (mm)	Maximum Contraction (mm)
FXJ-2	56-62	38	12
FXJ-3	82-88	38	12
FXJ-4	108-114	38	12



### WASHER CONNECTOR PLUMBQWIK™ RANGE

FHG-1	Hose Grip Clothes Washer Connector	38-50 (drain pipe)	25-36 (washer hose)
FDWC-100	Dishwasher Drain Connector	19-23	13-16





Code	Description	Size	PN Rating	Unit
------	-------------	------	-----------	------

**END CAP PLUMBQWIK™ RANGE**

FQC-101		38-49		
FQC-102		50-61		
FQC-103		80-91		
FQC-104		105-116		
FQC-105		132-143		
FQC-106		156-167		
FQC-108		204-220		
FQC-110		250-279		


**FLEXSEAL (FERNCO) ICON INTERNAL PUSHFIT COUPLING**

- Significantly reduces labour time for connecting problem pipes
- Watertight connection on any pipe material
- Connects pipes of differing or irregular outside diameters
- No need to expose external surface of pipe
- Pipe stop indicates that the product is properly installed, when it is flush to the pipe end
- Passes pressure tests
- Provides shear load protection
- The whole range conforms to the requirements of BS EN 295-4:2013

IC95P	93-98mm
IC95-100P	93-98/99-103mm
IC95-150P	93-98/148-153mm
IC100P	99-103mm
IC100-150P	99-103/148-153mm
IC150P	148-153mm



Code	Description	Size	PN Rating	Unit
------	-------------	------	-----------	------

## FERNCO FLAP VALVES

Flap Valves are one-way valves which are installed at the open end of a pipe line or culvert. Their purpose is to allow downstream water to exit the pipe via a one-way flap door, whilst preventing rising water levels outside of the pipe from entering the pipe and flowing back up the system and flooding the protected area. Both lightweight and corrosion resistant, our Flap Valves act as Non-Return Valves and check valves for the prevention of reverse flows.

- Lightweight range of flap valves
- Available – wall, spigot or flange mounted
- Low cracking heads
- Easy and quick installation – no need for grout between frame and wall

### FERNCO WALL MOUNTED FLAP VALVE

FV100	100mm
FV150	150mm
FV200	200mm
FV250	250mm
FV300	300mm
FV400	400mm
FV500	500mm
FV600	600mm



### FERNCO SPIGOT MOUNTED FLAP VALVE

FVS100	100mm
FVS150	150mm
FVS200	200mm
FVS250	250mm
FVS300	300mm
FVS400	400mm
FVS500	500mm
FVS600	600mm



## FERNCO QWIK ACCESS

### ACCESS FOR CCTV AND DRAIN CLEARANCE

- Fits pipe diameters 80-150mm
- Withstands upto 1 bar
- Can be removed and re-fitted
- Pre- Assembled for direct installation into the host pipe

FQA                      Single Qwik Access point    54mm

FQA-Kit                Kit includes  
 10 x 54mm Qwik Access points  
 1 x De Burring Tool  
 1 x 6mm Allen Key  
 1 x 54mm Diamond Core Drill bit.



Code	Description	Size	PN Rating	Unit
------	-------------	------	-----------	------

### FERNCO CLAMP

F032-316	Clamp 316 SS	40mm - 63mm		
F044-316	Clamp 316 SS	59mm - 82mm		
F064-316	Clamp 316 SS	67mm - 114mm		
F080-316	Clamp 316 SS	92mm - 140mm		
F096-316	Clamp 316 SS	114mm - 165mm		
F116-316	Clamp 316 SS	146mm - 197mm		
F128-316	Clamp 316 SS	165mm - 216mm		
F140-316	Clamp 316 SS	178mm - 235mm		
F152-316	Clamp 316 SS	203mm - 254mm		
F164-316	Clamp 316 SS	222mm - 273mm		
F184-316	Clamp 316 SS	254mm - 305mm		
F212-316	Clamp 316 SS	249mm - 298mm		
F248-316	Clamp 316 SS	356mm - 406mm		



### FLEXIBLE BOSS JUNCTION (SADDLE)

A fast and cost effective way to connect a stormwater pipe into a new or existing line

- Manufactured from a specially formulated flexible PVC membrane.
- Rigid, yet flexible enough for one saddle to fit 150mm or larger stormwater mains.
- Includes special "slip-lock" quick-adjust stainless steel clamps allowing fast and simple installations into stormwater mains
- Larger apron with locating ring provides a positive and effective seal.
- Suitable for most stormwater pipe diameters, over 150mm.
- Leak-proof, resistant to chemicals, ultraviolet rays, fungal growth and normal sewer gases.



FTSW-4	45° Flexible Boss Junction	100mm
FTSW-6	45° Flexible Boss Junction	150mm
FTST-4	90° Flexible Boss Junction	100mm
FTST-6	90° Flexible Boss Junction	150mm

### FERNCO PIPE LUBRICANT

Pipe Lubricant NEUTREX® for plastic pipes: a white, watermiscible paste based on synthetic materials. Standard application: general plumbing and construction. Neutrex is approved for drinking water applications after DVGW as well as WRAS BS6920-1:2000.

FPL500	500ml
FPL1	1Kg
FPL3	3Kg



Code Description Nominal Size Size Actual Size Min Rating Max Unit Min Max

**FERNCO POW-R-WRAP**

**PIPE REPAIR**

- Repairs virtually any material
- Copper, Rubber, Plastics, Fiberglass, PVC Pipe, Galvanised, Concrete
- Works on wet, dry, clean, dirty or corroded pipes.
- Pipe & Plumbing repairs
- Pool & Spa repairs
- Boat & Marine repairs
- Automotive Repairs
- Hydraulic Repairs
- Sprinkler System Repairs



FPW248CS	fits pipe up to 25mm	50mm x 1.2m
FPW3132CS	fits pipe 32 - 75mm	75mm x 3.35m
FPW4252CS	fits pipe 80 - 150mm	100mm x 6.4m
FPW8540S-1	Pow-R Wrap Industrial Pipe Repair fits pipe 300-460mm	200mm x 13.7m

**INFLATABLE PIPE SLEEVE**

- One sleeve fits many pipe diameters
- Provides an air space up to 300mm long
- Suits all pipe sizes up to 100mm diameter
- If larger sizes re required just add another sleeve.
- Comes in handy flat pack which saves room and it won't get damaged in your van
- No tools required



IPS	32-100mm
-----	----------

**PLUMBEST POLYETHELENE PIPE SLEEVING**

A waterproof Sleevng which allows for expansion and contraction between PVC pipework and concrete  
As required by Australian and NZ Plumbing Codes  
As specified by all leading PVC pipe manufacturers for protection in concrete

PPS4		0 - 125mm Sleeve x 26 metres
PPS8		0 - 200mm Sleeve x 26 metres



Code Description Size Min Max PN Rating Max Unit

## EUROBATEX

EUROBATEX Thermal insulation for refrigeration, air conditioning, plumbing and heating systems. A fine closed cell foam construction ensures a stable low value of thermal conductivity. CFC free.

### EUROBATEX INSULATION HOSE

Length: 2m  
Thickness: 13mm



HYDROFLOW CODE	LENGTHS PER CARTON	INTERNAL DIAMETER	COPPER TUBE (Nominal Bore)
EUR1316-68	68	16mm	15mm
EUR1322-49	49	22mm	20mm
EUR1328-39	39	28mm	25mm
EUR1335-29	29	35mm	32mm
EUR1342-24	24	42mm	40mm
EUR1354-17	17	54mm	50mm
EUR1376-13	13	76mm	65mm
EUR1390-12	12	90mm	80mm
EUR13114	8	114mm	100mm

### EUROBATEX SELF ADHESIVE PIPE SECTIONS

Length: 2m  
Thickness: 13mm



HYDROFLOW CODE	LENGTHS PER CARTON	INTERNAL DIAMETER	COPPER TUBE (Nominal Bore)
EURS1316-68	68	16mm	15mm
EURS1322-49	49	22mm	20mm
EURS1328-39	39	28mm	25mm
EURS1335-29	29	35mm	32mm
EURS1342-24	24	42mm	40mm
EURS1354-17	17	54mm	50mm
EURS1376-13	13	76mm	65mm

Code                      Description                      Size                      PN Rating                      Unit

## EUROBATEX

PHYSICAL PROPERTIES	TEST METHOD	RESULTS OBTAINED
Type of Material		P.V.C/nitrile flexible elastomeric foam
Cell Structure		Closed cell foam
Foam Colour		Black
Operating Temperature Range	EN 14707	-45°C - 110°C
Water Vapour Diffusion $\mu$	EN 13469/DIN 52615	$\geq 7,000$
Water Vapour Permeability	BS4370: Part 2: 1973	0.07 $\mu\text{gm/Nh}$
Water Absorption after 28 days	ASTM D1056	1.5% max by volume
Thermal Conductivity	DIN52613 DN52612 EN ISO8497	0.036 W/m.K @ 20°C R Value 0.3823
Ozone Resistance	ISO 7326/91	Excellent
Chemical Resistance	Exposure to oil, greases, building materials, dilute acids and Alkalis	Good
UV Resistance		Good
<b>FIRE PERFORMANCE</b>		
<b>USA</b>		
	UL94, UL746A, UL746C	Flame Class V-0 5VA
<b>UK</b>		
Fire Propagation	$I \leq 12.0$ $i < 6.0$	BS476: Part 6
Surface Spread of Flame	Class 1	BS476: Part 7
Building Regulations	Class 0	BS476: Parts 6 and 7

Code	Description	Size	PN Rating	Unit
------	-------------	------	-----------	------

### EUROBATEX COIL

Flexible expanded rubber insulation material, CFC free, HCFC free, O.D.P. zero. For use with heating, air conditioning, refrigeration, sanitary and plumbing installations, thermal insulation in commercial, institutional and industrial situations. 13 mm thickness. Operating temperature range -45°C to + 105°C

EUR1316C	Insulation Coil 15mm	32 Metres per carton		
EUR1322C	Insulation Coil 20mm	26		
EUR1328C	Insulation Coil 25mm	20		



### POLYSTYRENE PIPE ACCESSORIES

#### POLY BRICK

PB 300 x 300mm Polystyrene



#### POLY SLEEVE

PS40	40 x 65mm
PS50	50 x 65mm
PS65	65 x 65mm
PS80	80 x 65mm
PS100	100 x 65mm



#### HANDI PLUG

HP15 Hand Tighten Test Plug -Male 15mm



HC15 Hand Tighten Test Cap -Female 15mm



Code	Description	Size	PN Rating	Unit
------	-------------	------	-----------	------

## AQUOR HOUSE HYDRANTS

*Aquor house hydrants will generally suit most common sub-floor claddings including: concrete block, brick, solid concrete, fibre cement, timber slat or plywood. It is suggested for use on detached unlined garages, decks, retaining walls, toilets blocks and farm buildings. Not currently approved for use in lined walls which are required to comply with clause E2 AS1 of the NZ building code. This is currently under review*

### AQUOR UNIVERSAL HYDRANT

- The House Hydrant V1+ includes a hose connector
- Allows user to access water instantly by connecting under full water pressure.
- Stainless steel body and pressure-closed valve provide zero-maintenance reliability for years.
- 316L alloy is marine-grade and highly resistant to corrosion.
- High-performance Viton® O-rings ensures a reliable leak-proof seal, even at high water pressures.
- Hydrant can be mounted vertically or horizontally.
- Hydrant comes standard with 1/2" female BSP inlet.

AQDW-4-BSP

1/2" BSP



### AQUOR HOUSE HYDRANT V1+

- The House Hydrant V1+ includes a hose connector
- Allows user to access water instantly by connecting under full water pressure.
- Stainless steel body and pressure-closed valve provide zero-maintenance reliability for years.
- 316L alloy is marine-grade and highly resistant to corrosion.
- High-performance Viton® O-rings ensures a reliable leak-proof seal, even at high water pressures.
- Hydrant must be mounted horizontally..
- Hydrant comes standard with 1/2" female BSP inlet.

AQHHP004-BSP

1/2" BSP

AQHHP012-BSP

1/2" BSP



### AQUOR HYDRANT COVER V1 MATTE TITANIUM

Replaces standard debris cover and wedge with heavy-duty brushed stainless steel. Matte black titanium PVD coating provides a beautiful finish with added corrosion protection. Can be replaced without shutting water off, simply remove hydrant faceplate screws.

AQMC-V1-TI

Matte Titanium





Code	Description	Size	PN Rating	Unit
------	-------------	------	-----------	------

## AQUOR HOUSE HYDRANTS

*Aquor house hydrants will generally suit most common sub-floor claddings including: concrete block, brick, solid concrete, fibre cement, timber slat or plywood. It is suggested for use on detached unlined garages, decks, retaining walls, toilets blocks and farm buildings. Not currently approved for use in lined walls which are required to comply with clause E2 AS1 of the NZ building code. This is currently under review.*

### AQUOR HYDRANT COVER V1 BRUSHED STAINLESS

Replaces standard debris cover and wedge with heavy-duty brushed stainless steel. Can be replaced without shutting off water, simply remove the hydrant faceplate screws to install.

AQMC-V1

Stainless Steel



### AQUOR CONNECTOR WITH FLOW CONTROL

The Connector provides can be used with any of our hydrants or outlets. The downturn angled handle provides extra leverage for ease of use. Integrated ball valve for flow control – use it with or without a garden hose.

- Use with any garden hose
- Standard 3/4" garden hose thread
- Built-in ball valve for flow control

AQCN-VB1-BSP

3/4" BSP



### AQUOR 90 DEGREE ELBOW INLET

- Replaces standard straight inlet with a 90° elbow. Shortens overall length of hydrant by 1/2". Includes stainless steel valve reset spring.
- Positionable.
- 316L stainless steel. Compatible with all Aquor hydrants and outlets except ground hydrants.

AQINL-90-BSP

1/2" BSP



Code	Description	Size	PN Rating	Unit
------	-------------	------	-----------	------

**GOLDEN GRIP INTERNAL PIPE WRENCH**

The world's only self-locking, reversible, internal wrench. Use it with ratchets, extensions and impact wrenches, to get in fast and get the job done right the first time. This revolutionary design can't damage threads and can remove the most stubborn nipples

RGG15		15mm		
RGG20		20mm		
RGG2532		25-32mm		


**SUNDRIES**

RQS	Quick Saw Comp			
RRB	Replacement Blades x 2			


**PAN CONNECTOR (EPDM)**

PANC80		80mm		
PANC100		100mm		

