

PN16 “Lugged” Butterfly Valve

Lever & Gear Operated

Application

Potable water service Butterfly Valves with Watermark certification, for on and off and flow control service.

Suitable applications would include building services, water and wastewater, general industry, and irrigation water supply.

Features:

1. Quality robust construction.
2. Excellent sealing due to unique disk and seat contour.
3. Single piece 316SS shaft eliminating potential pin and bolt leakages

Technical Parameters:

Nominal Diameter: DN50~DN150 Lever operate

DN50~DN300 Gear operate

Nominal Pressure: PN16

Working Temperature: $-20^{\circ}\text{C} \sim +120^{\circ}\text{C}$

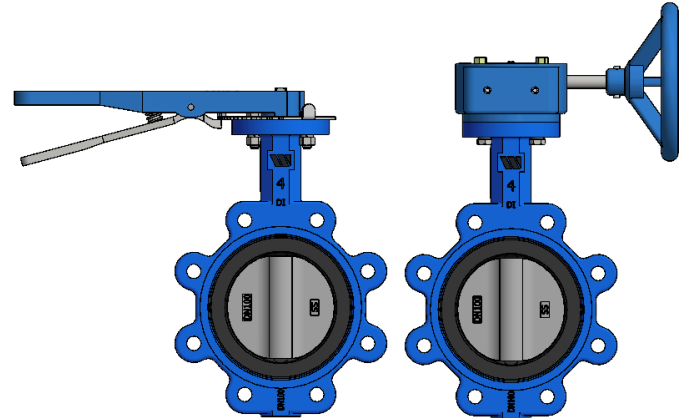
Working Medium: Potable Water

Connection Type: Lugged

Connection Standard: AS2129 Table E + Table D as options

Design Standard: ATS 5200.012-2005

Test Standard: ISO 5208-2008



Main Materials:

Part Name	Body	Disc	Stem	Seat
Material	Ductile Iron ASTM A-536	CF8M ASTM A-743	316SS ASTM A276	EPDM

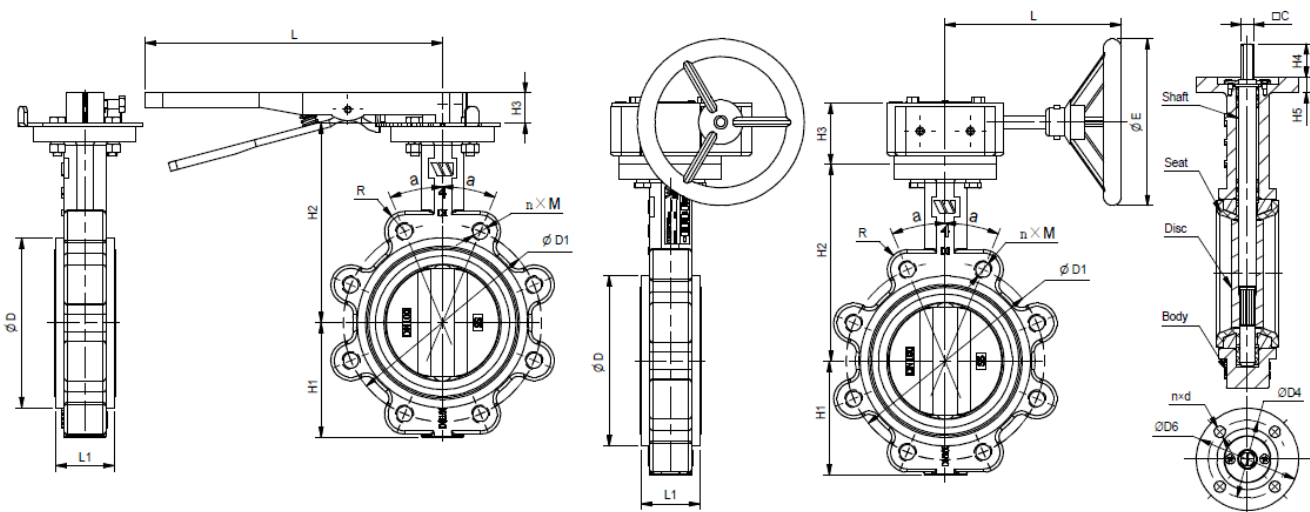


WMK26060

ATS5200.012

Certification: WaterMarked WMK 26060

Dimensions:



Size DN	Contour dimension (mm)					Flange dimension (mm) Meet AS2129 Table E			Flange dimension (mm) Meet AS2129 Table D		
	H1	H2	φD	R	L1	φD1	n×M	a	φD1	n×M	a
50	68	142.7	92	15	43	114	4×M16	45°	114	4×M16	45°
65	77	155.4	105	17	46	127	4×M16	45°	127	4×M16	45°
80	89	161.8	120	17	45.21	146	4×M16	45°	146	4×M16	45°
100	103	177	153	18	52.07	178	8×M16	22.5°	178	4×M16	45°
125	127	189.5	181	20	55.5	210	8×M16	22.5°	210	8×M16	22.5°
150	139	204.2	208	21	55.75	235	8×M20	22.5°	235	8×M16	22.5°
200	165	236	260	20	60.58	292	8×M20	22.5°	292	8×M16	22.5°
250	203	266.3	320	25	68	356	12×M20	15°	356	8×M20	15°
300	231	306.5	370.2	25	76.9	406	12×M24	15°	406	12×M20	15°

Size DN	Top Flange dimension (mm)							Lever Operated		Gear Operated		
	H4	H5	□C	Meet ISO 5211				Blue		Blue		
				Type	φD6	φD4	n×d	H3	L	H3	φE	L
50	30	13	□9	F07	92	70	4×φ10	32	266.7	66	150	160
65	30	13	□9	F07	92	70	4×φ10	32	266.7	66	150	160
80	30	13	□9	F07	92	70	4×φ10	32	266.7	66	150	160
100	30	14	□11	F07	92	70	4×φ10	32	266.7	66	150	160
125	30	14	□14	F07	92	70	4×φ10	32	266.7	66	150	160
150	30	14	□14	F07	92	70	4×φ10	32	266.7	66	150	160
200	33	14	□17	F10	125	102	4×φ12	/	/	82	298	240
250	33	14	□22	F10	125	102	4×φ12	/	/	82	298	240
300	33	20	□22	F10	140	102	4×φ12	/	/	84	298	225

◆ Installation Instructions:

- (1) To ensure that the product meets the requirements of the application, compare to confirm that both the application and product specifications are compatible.
- (2) Installation personnel should be of a suitably trained and experienced level.
- (3) At the end of the installation, check thoroughly that it is installed correctly.
- (4) To ensure a safe installation, thoroughly clean the pipe system before product installation (please use chemical reagent if it is necessary). Ensure that the pipeline system is clean, with no corrosion, dirt or cleaning fluids remaining. It is necessary to remove all the filters in the pipeline before washing.
- (5) Advice is to install temporary pipeline at the place of equipment installation pipeline, then install the equipment into the pipeline after finishing the wash/cleaning work.
- (6) Note that the devices must not be used in the applications where the medium is containing a higher viscosity such as oil, mineral oil or is of corrosive medium.