

Mounting Sleeve - V1+



For new construction rough-in. Provides an easy-to-use, weather-proofed install solution. Includes test plug tool.

- Ideal for stucco, brick, lap-siding, & more
- Provides for easy application of flashing or spray insulation
- Allows for simple exterior servicability, even when embedded into concrete
- Durable glass-reinforced nylon sleeve with EPDM insert and stainless steel bracket

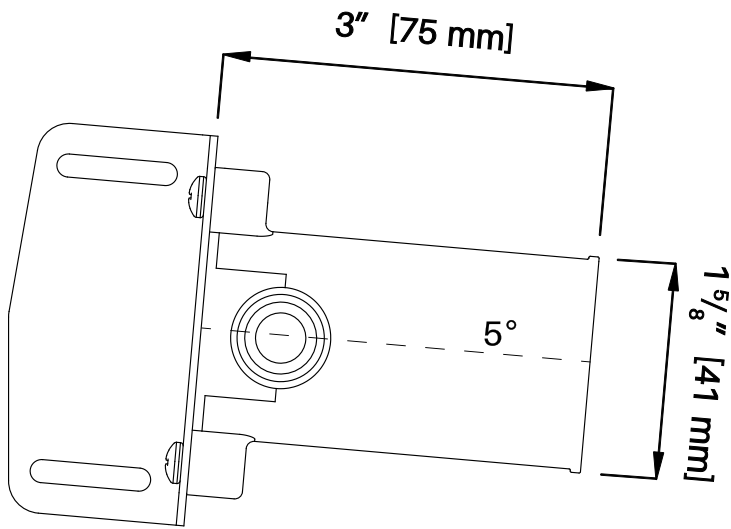
Compatibility	House Hydrant V1+
In the box	Mounting Sleeve, Test Plug Tool
Install Required	Yes
Test Plug Max Pressure	125 PSI
Siding Rough-In Dimensions	1.75" Diameter Hole
Material	Glass Filled Nylon, Stainless Steel, EPDM



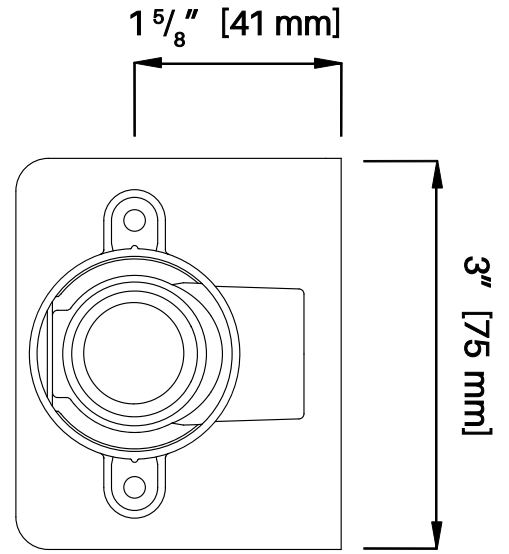
Installation

Scan for install guide.

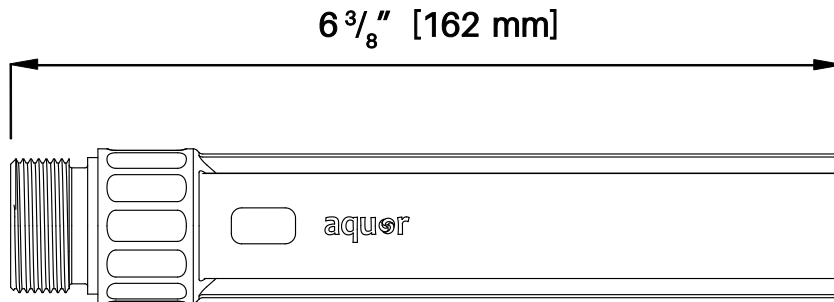




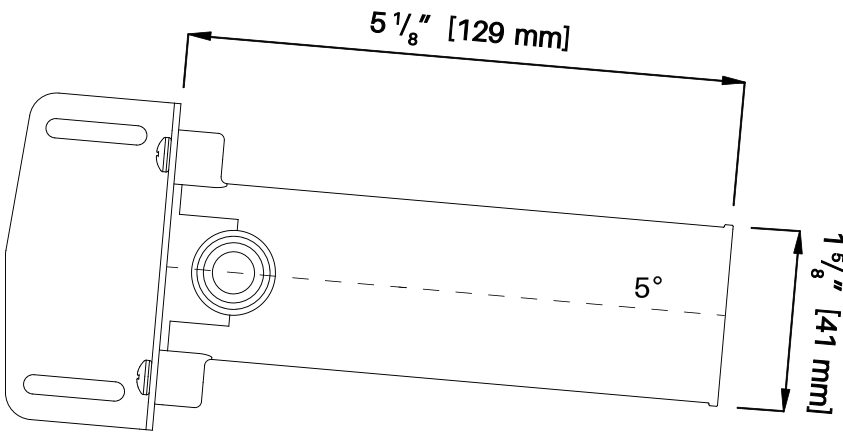
SL1-200



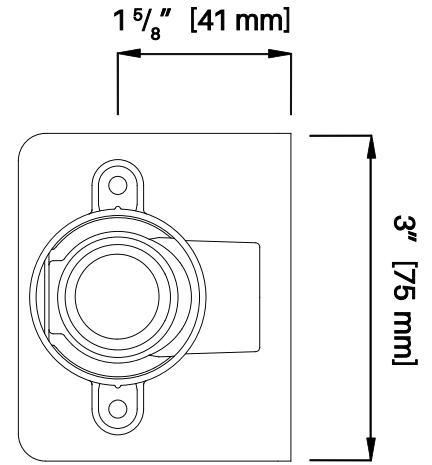
FRONT VIEW



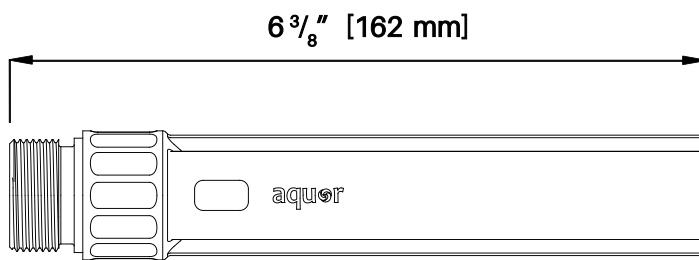
TEST PLUG



SL1-400



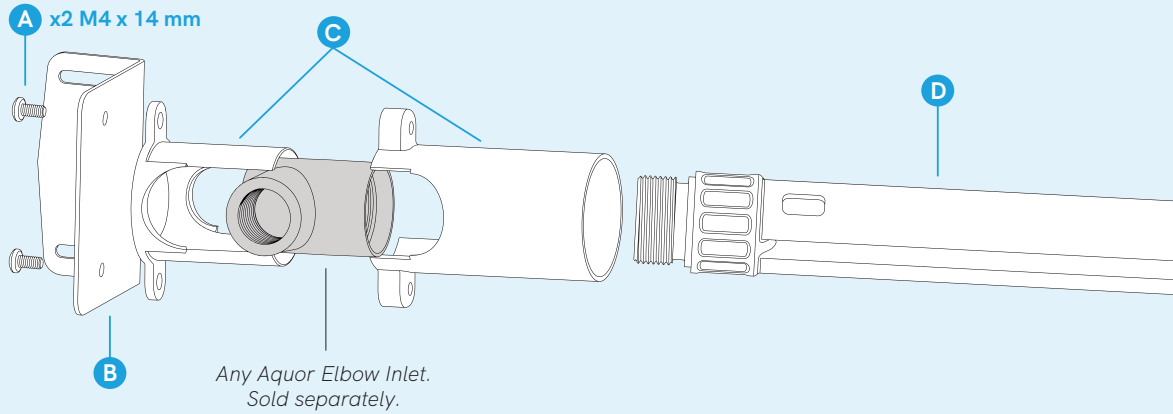
FRONT VIEW



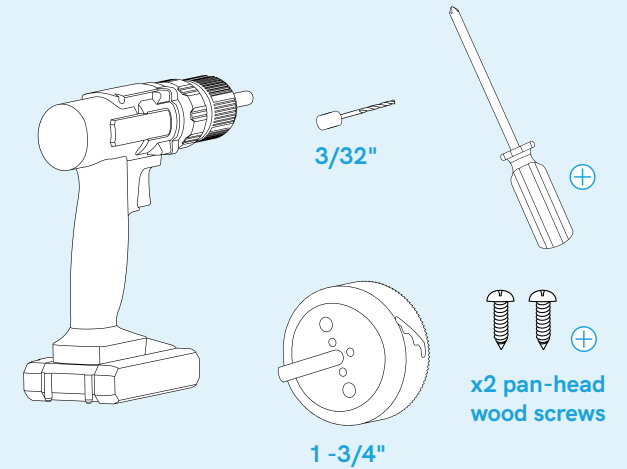
TEST PLUG

INCLUDED

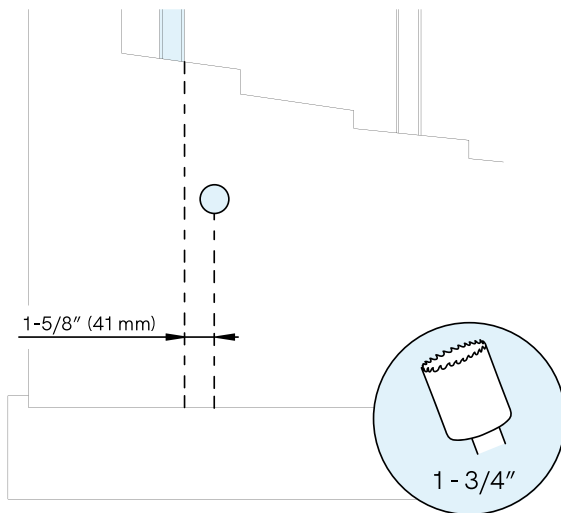
Assemble parts as shown.



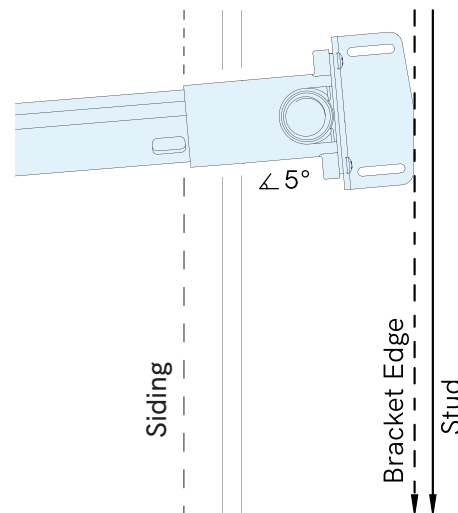
HELPFUL TOOLS



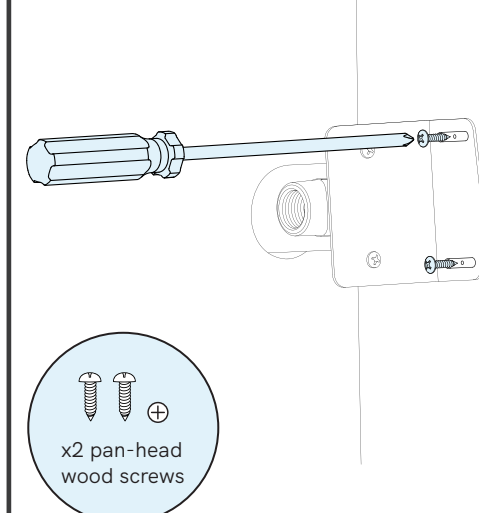
1 Drill install hole.



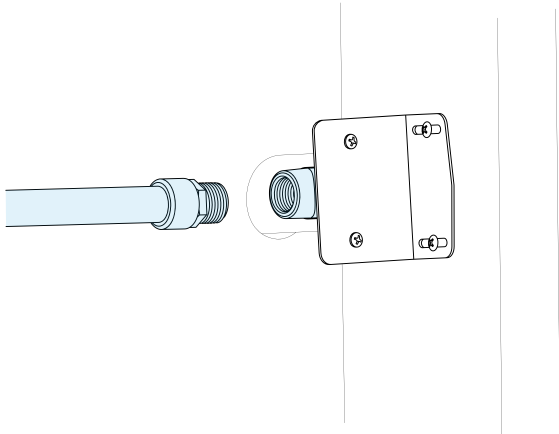
2 Downward slope for drainage.



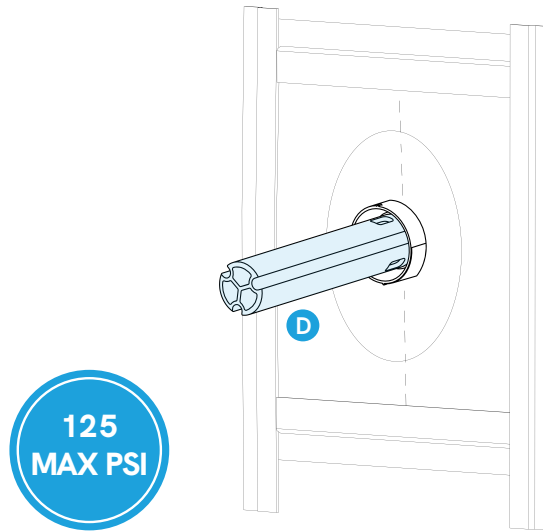
3 Lightly secure bracket to stud.



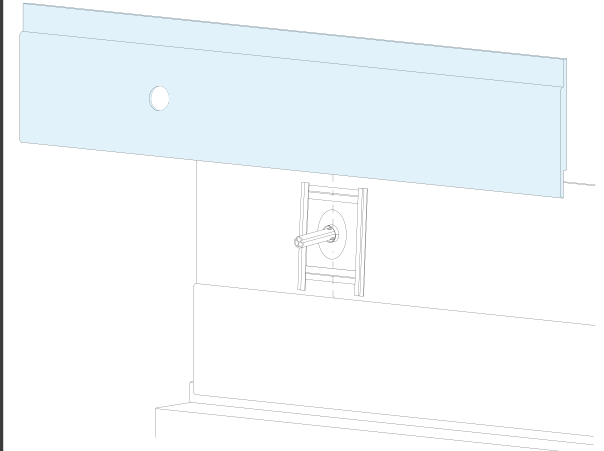
4 Connect to plumbing.



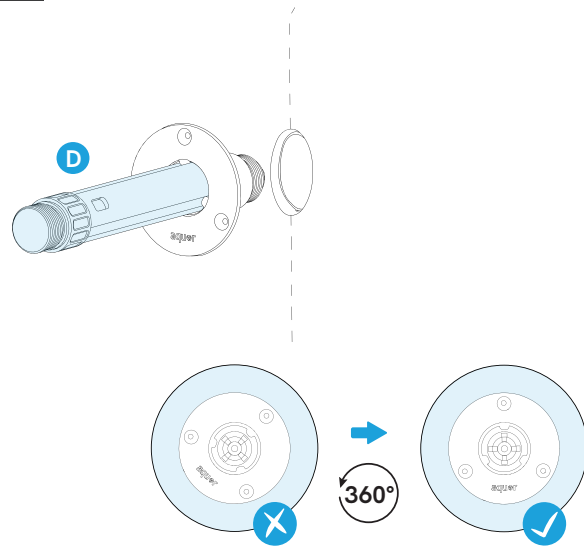
5 Test pressure and add flashing.



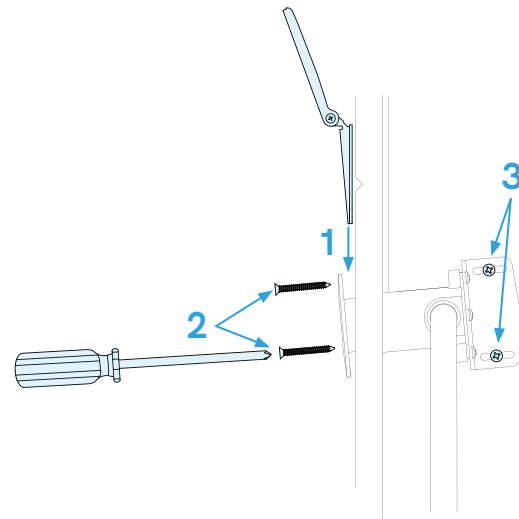
6 Install finished siding or stucco. Remove test plug.



7 Using the test plug, insert hydrant.



8 Insert debris cover behind hydrant faceplate. Secure hydrant with screws.



9 Check for leaks.

