



IN-LINE SPRING CHECK VALVE



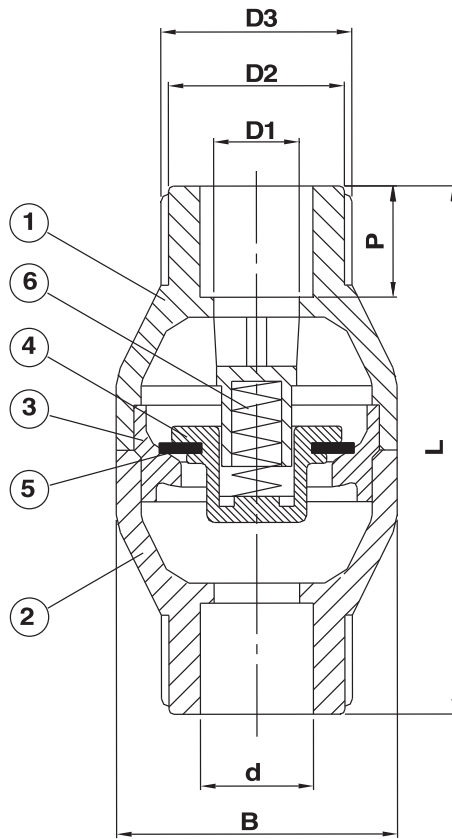
JC Series

SOCKET JC100 / THREAD JC200
Size: 1/2" - 2"

TEST PRESSURE: 225 PSI ; 15 kgf/cm² (bar)
WORKING PRESSURE: 150 PSI ; 10 kgf/cm² (bar)

● **MATERIALS OF CONSTRUCTION**

NO	PART	MATERIAL	PCS
1	UPPER BODY	UPVC	1
2	LOWER BODY	UPVC	1
3	CONNECTOR	UPVC	1
4	SPIGOT	UPVC	1
5	SEAL	EPDM	1
6	SPRING	SUS 304	1



DN15~DN50

● DIMENSIONS TABLE

Nom		SIZE	15mm (1/2")	20mm (3/4")	25mm (1")	32mm (1-1/4")	40mm (1-1/2")	50mm (2")
		d	JIS (mm)	Socket	22	26	32	38
Thread	PT1/2			PT3/4	PT1	PT1-1/4	PT1-1/2	PT2
ANSI (inch)	Socket		0.840	1.050	1.315	1.660	1.900	2.375
	Thread		NPT1/2	NPT3/4	NPT1	NPT1-1/4	NPT1-1/2	NPT2
DIN (mm)	Socket		20	25	32	40	50	63
	Thread		R1/2	R3/4	R1	R1-1/4	R1-1/2	R2
P	JIS(mm)	22.2	25.4	28.6	31.8	34.9	38.1	
	ANSI(inch)	0.875	1.000	1.125	1.250	1.375	1.500	
	DIN(mm)	16.0	18.5	22.0	26.0	31.0	37.5	
D1			17	21	28	35	40	52
D2			35	35	45	52	60	73
D3			37	37	47	54	62	75
B			56	56	73	91	91	107
L			105	105	134	157	157	178

