

Series LFN45B-G-AUS

LFN45B-G-AUS-EN-202101

Sizes: DN15-DN50

Pressure Reducing Valve

Series LFN45B Water Pressure Reducing Valves are designed to control and reduce the incoming water pressure to a compliant level to protect plumbing system components and assist in reducing water consumption. The LFN45B features Lead Free* construction to comply with Lead Free* installation requirements. This series is suitable for water supply pressures up to 2760/2070 kPa and come with factory pre-set at 500 kPa.

The standard bypass feature permits the flow of water back through the valve into the main when pressures, due to thermal expansion on the outlet side of the valve, exceed the pressure in the main supply.

Features

- 'Lead Free' cast copper silicon alloy body construction
- Integral stainless steel strainer
- Thermoplastic seat & cage
- Bypass feature controls thermal expansion pressure**
- Sealed spring cage on all models for accessible outdoor or pit installations
- Serviceable in line

Pressure - Temperature

- Pressure Reducing Range: 172kPa~517kPa
- Standard Pressure Setting: 500kPa
- Maximum Pressure: DN15-DN25: 2760kPa
DN32-DN50: 2070kPa
- Working Temperature: 0.5 C ~82 C

Approval



Specification

- Connection Standard: Threads BSP
- Working Medium: Non corrosive liquids

Material

Component	Material
Body	'Lead Free' Bronze
Seat	Thermoplastic
Bonnet	Thermoplastic
Strainer	Stainless Steel
Diaphragm	Reinforced EPDM
Valve Disc	Elastomer

Note:* 'Lead Free' means the wetted surface of this product contacted by consumable water contains less than 0.25% of lead by weight.

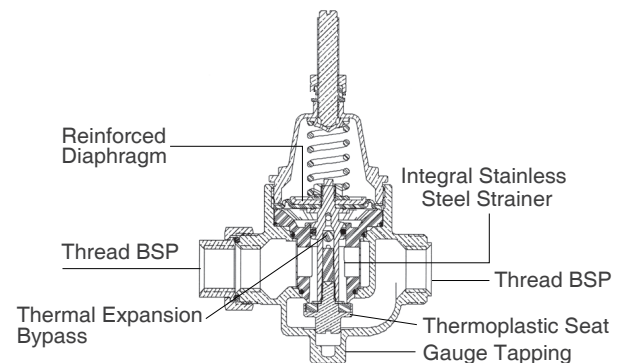
**The bypass feature will not prevent the pressure relief valve from opening on the hot water supply system with pressure above 150psi (10.3 bar).



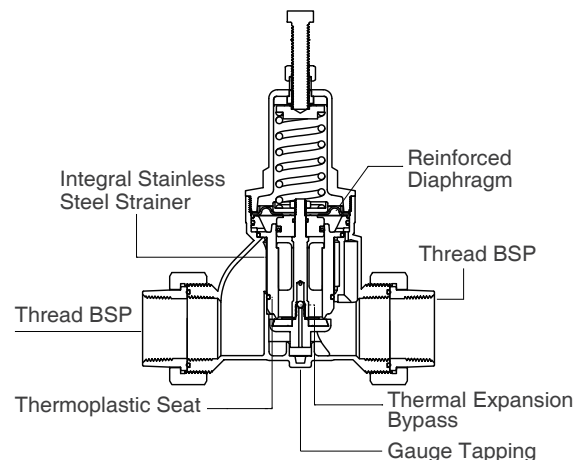
DN15-DN25



DN32-DN50



DN15-DN25



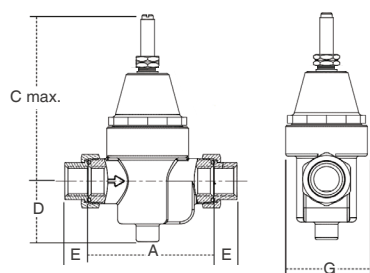
DN32-DN50

Watts reserves the right to change or modify product design, construction, specifications, or materials without prior notice and without incurring any obligation to make such changes and modifications on Watts products previously or subsequently sold.



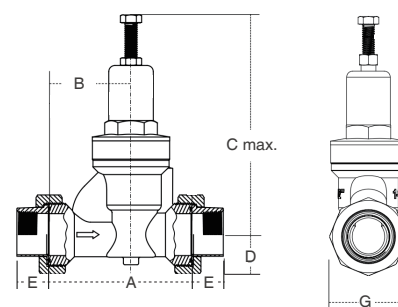
Installation Dimensions

DN15-DN25



DN mm	A mm	C mm	D mm	E mm	G mm
15	88	116	43	16	57
20	88	116	43	18	57
25	105	116	43	21	57

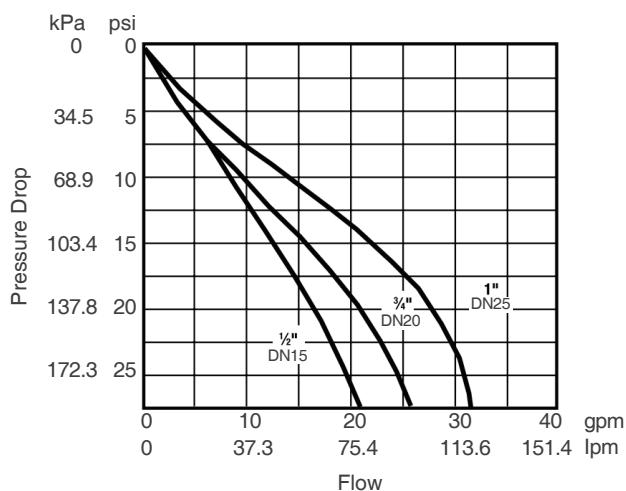
DN32-DN50



DN mm	A mm	B mm	C mm	D mm	E mm	G mm
32	148	78	225	36	33	82
40	148	83	225	41	33	82
50	162	93	225	47	33	93

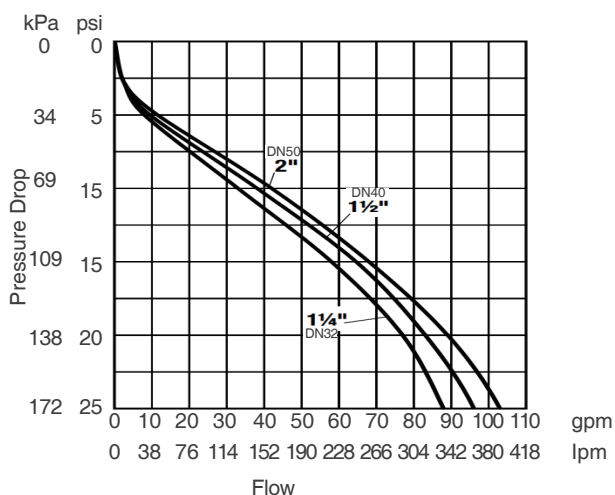
Characteristic Curves

DN15-DN25



Note: Curves in US gpm

DN32-DN50



Installation Guide

1. The valve's rated parameters should match the application. Make sure that the valve's rated flow satisfies the actual demand.
2. Installation must be carried out by a suitably qualified person and is subject to the requirements of the applicable regulatory authority, the National Construction Code Volume Three – Plumbing Code of Australia, associated reference standards as applicable at the time and AS/NZS 3500.1.
3. Use threaded Connections that match to the valve.
4. The arrow head on the valve body indicates direction of flow.
5. It is recommended to flush all pipework prior to installation.
6. It is recommended to replace the valve with a temporary pipe during the flushing of the pipework. Following cleaning, the valve can be refitted into the pipework.
7. Single Stage Pressure Reduction is recommended where incoming pressure is less than 1100 kPa and when the reduction ratio is less than 3:1. If the initial pressure is 1100 kPa or greater, or the pressure reduction ratio is greater than 3:1 (e.g. from 1380 kPa to 350 kPa), or when the inflow pressure fluctuates greatly, two-stage pressure reduction is recommended by having two PRVs in series.