

MONACO™

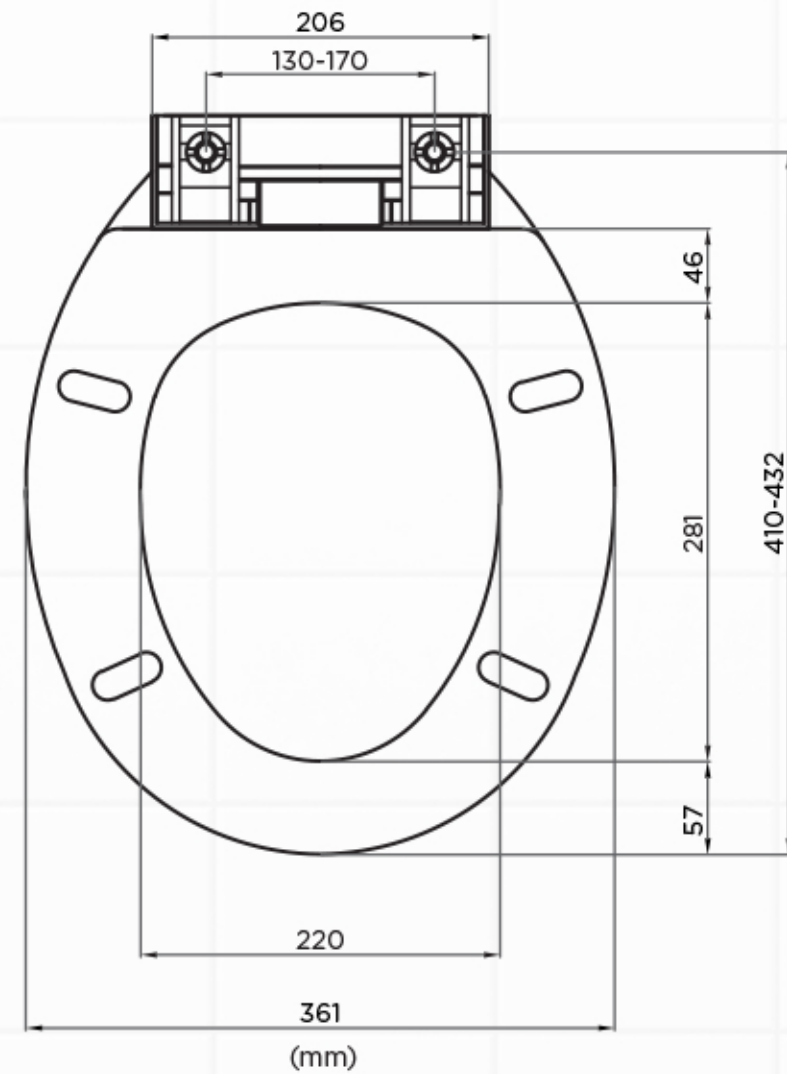
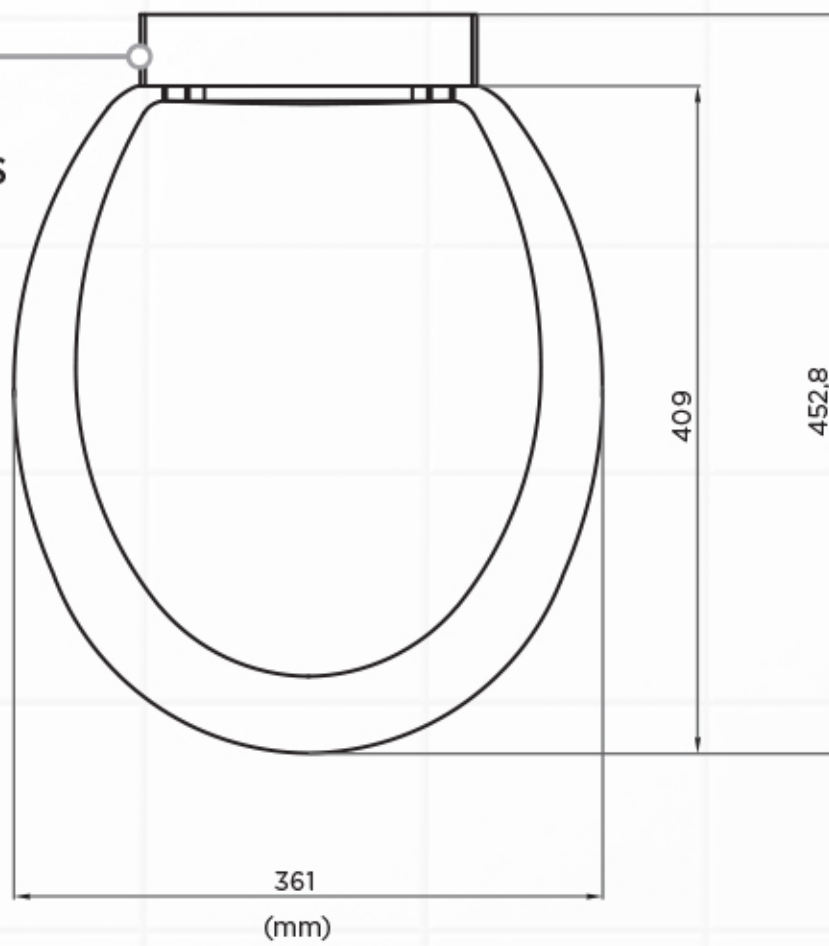
Toilet Seat | Standard



Seat and Hardware

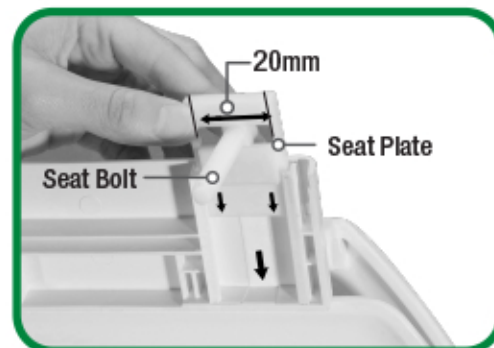


Seat hinge with built-in arrow guides



Easy to Install

Insert Seat Bolt Plates in Connection plate (follow arrow guides).



For Link Application:

Insert link to seat connection plate. Set seat bolts into pan holes and hand-tighten seat bolt nuts.



For Non-Link Application:

Set seat bolts into pan holes and hand-tighten seat bolt nuts.



For Installation Assistance, Visit: www.fluidmaster.com.au



Upgrade to the Brand Trusted by Professionals and Toilet Manufacturers worldwide



YEAR WARRANTY