

Series LFTP3T-AUS

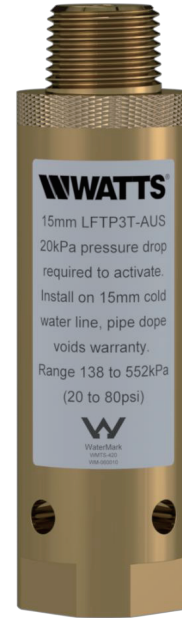
LFTP3T-AUS-202110

Trap Primer 20kPa(3psi)

Size: 15mm (1/2")

The Series LFTP3T-AUS operates by sensing a 20kPa (3psi) pressure drop in the supply line from the downstream fixtures or appliances. The pressure reduction above the Valve Disk (2) causes the disk to move upward, opening the Lower Disc Seal (4) and closing off the Upper Disc Seal (1). With the Lower Disc Seal (4) open, the stored air pressure in the air chamber (5) pushes a portion of the contained volume of water from the lower chamber out through the opening beneath the Lower Disc Seal (4) to prime the trap. When there is no longer a demand in the supply line, and the full line pressure is restored, the Valve Disk (2) lowers, opening the Upper Disc Seal, allowing flow through the One-Way Seal (3), seating the Lower Disc Seal (4) and recharging the Air Chamber (5) for the next pressure drop cycle. The Series LFTP3T-AUS features Lead Free* construction to comply with the Lead Free* installation requirements.

This Engineering Sheet is not intended to replace the product installation and safety information available or the experience of a trained product installer. Please refer to the product installation instructions for further information.



Models

LFTP3T-AUS^ Threaded Inlet and Outlet Connection

Features

Built-in Vacuum Breaker Ports (6)

Specifications

A Trap Primer shall be installed in plumbing systems to prevent floor drain traps from losing their water seal by evaporation. Maintaining the water seal will prevent the backflow of sewer gas into the buildings or rooms where the traps are installed. Trap primers where specified in the national and various State plumbing codes shall be Lead Free* and meet the requirements of Watermark Technical Standard 420.

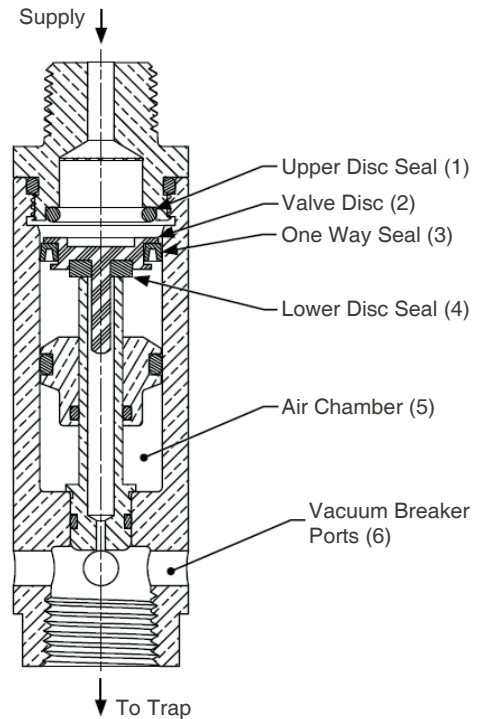
The Series LFTP3T-AUS incorporates a built-in vacuum breaker that does not satisfy compliance to AS/NZS 2845.1. The Series LFTP3T-AUS features Lead Free* construction to comply with Lead Free* installation requirements.

* The wetted weighted average surface area of this product in contact with potable water contains less than 0.25% lead.

^ LFTP3T-AUS same as Watermark approved product LFTP300T-AUS.

Material

Component	Material
Brass Body and Components	Lead Free UNS C69300 brass
Seals	EPDM 70
#60 Mesh Screen	Stainless Steel



NOTICE

The information contained herein is not intended to replace the full product installation and safety information available or the experience of a trained product installer. You are required to thoroughly read all installation instructions and product safety information before beginning the installation of this product.

Inquire with governing authorities for local installation requirements

Approval



Pressure

Maximum supply pressure: 860kPa
Minimum supply pressure must exceed 170kPa

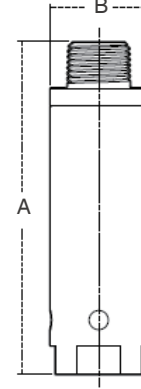
Operating Requirements

Activates with a 20kPa (3 psi) pressure drop between 170 to 860kPa operating pressure. Must be installed on a cold-water line serving a frequently used fixture. For proper trap priming, minimum flows must exceed those stated in the flow chart.

Flow Chart

INLET PRESSURE (kPa)	170	345	517	690	860
*LPM	4.2	6.1	7.6	8.7	9.1
*GPM	1.1	1.6	2.0	2.3	2.4

Installation Dimensions



MODEL	SIZE		DIMENSIONS				WEIGHT	
	mm	in	A		B		kgs.	lbs.
			mm	in	mm	in		
LFTP3T-AUS	15	½	110	4⅝	32	1¼	0.44	0.97

DISCLAIMER: Every care has been taken in the preparation of these instructions, which have been issued as a guide only. Compliance with the requirements of local Authorities is required at all times. These requirements may change from time to time. Always be aware of the local requirements. Subject to any statutory obligations and manufacturers warranties no liability can be accepted for any losses, consequential or otherwise which may arise or be said to have arisen from relying upon the contents of this installation instruction as to the fitness of any particular product for any particular purpose, use or application. Watts reserves the right to modify designs and specifications and to withdraw and introduce products at any time without notice.