

www.abey.com.au

Free Call 1800 809 143 or visit our website at www.abey.com.au

VIC | Abey Head Office | 57-81 Abey Road, Melton 3337. Phone: 03 9747 7777 Fax: 03 9747 7700 Email: mail@abey.com.au

NSW | Abey | 323 Woodpark Road, Smithfield 2164. Phone: 02 8787 5805 Fax: 02 8787 5808 Email: nsw@abey.com.au

QLD | Abey | 36 Nestor Drive, Meadowbrook 4131. Phone: 07 3805 7000 Fax: 07 3805 7111 Email: qld@abey.com.au

SA | Mike North (SA) Pty Ltd | 382 Richmond Road, Netley 5037. Phone: 08 8443 5677 Fax: 08 8443 7672 Email: salesmnsa@abey.com.au

WA | Abey | Unit 1, 8 Leeway Court, Osbourne Park 6017. Phone: 08 9446 8255 Fax: 08 9446 7770 Email: wa@abey.com.au

TAS | Crisp Ilkin Agencies | 7 Pear Avenue, Derwent Park 7009. Phone: 03 6272 7386 Fax: 03 6272 7806 Email: sales@crispikin.com.au

INDUSTRIAL & DOMESTIC PLUMBING PRODUCTS

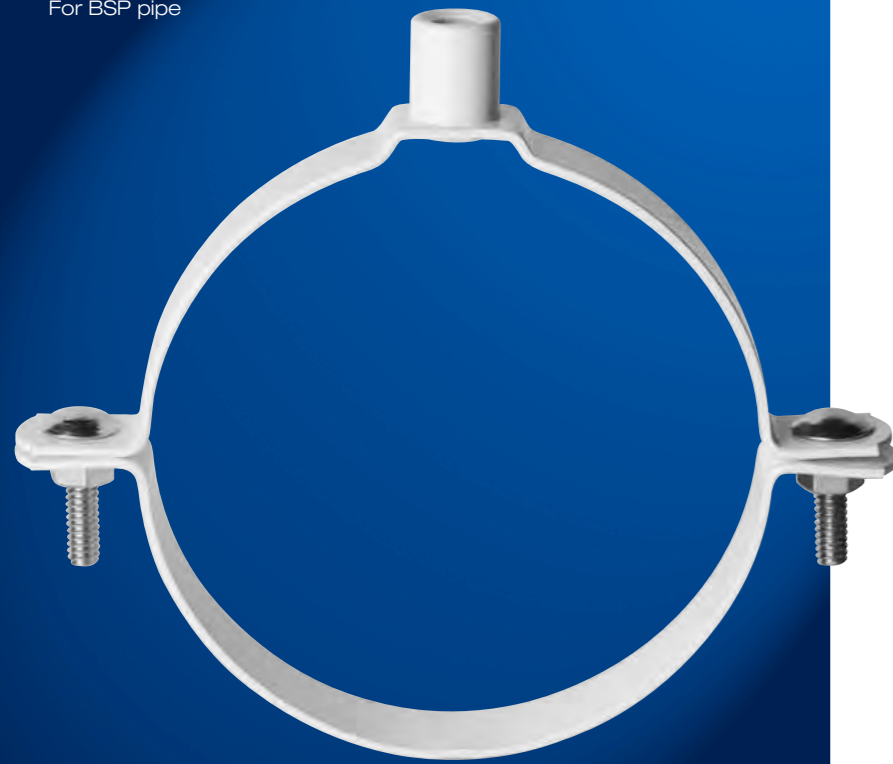


The Tradesman's Choice



The Tradesman's Choice

For BSP pipe



welded nut clips

Support where it counts.

Using NEW superior strength pressed nut technology, Abey's Welded Nut Clips are proven stronger and more reliable than conventional welded nut clips. With high tensile nuts and bolts, they guarantee against cracking or corrosion.

See page 2 - 3

clips for superior strength

pear clips

Easy use and installation.

Abey's Pear Clips are undoubtedly the quickest, safest, best value clips on the market. Reducing installation time so you can spend less time on the job, their unique "snap lock" action means you'll never use ordinary pear clips again.

See page 7



For BSP pipe

OTHER PRODUCTS FROM ABEY

General Plumbing

Rainwater Products

Cover Plates

Rangehood Flues

Duravent Gas Flues

Directvent Flues

Abey Sinks, Taps and Accessories

Gessi Designer Kitchen & Bathroom Taps & Accessories

Plug & Wastes

Building Products/Masonry Ties

Flexishaft Skylights

Lightbeam Skylights

Domelights

Whirlybird Rotary Roof Ventilators

Roofrite/Tiletite Roof Flashings

CONTENTS

PRODUCT	PAGE NO.
INDUSTRIAL BOLTED CLIPS	
WELDED NUT CLIPS DWV Copper BSP HDPE Purlin Brackets Stand Off Brackets.....	2,3
ALL THREAD CLIPS DWV Copper BSP.....	4
STAND OFF CLIPS DWV Copper BSP.....	5
ACOUSTIC CLIPS Copper Welded Nut Clips – Copper.....	6
PEAR CLIPS BSP DWV Copper.....	7
FIRE SERVICE CLIPPING SYSTEMS	
WELDED NUT CLIPS	8
SADDLE CLIPS Long Twist Standard BSP.....	8
BRACKETS Welded Nut Purlin Welded Nut Stand Off.....	9
PEAR CLIPS BSP.....	9
DOMESTIC CLIPPING SYSTEMS	
SADDLE CLIPS BSP Pressure Poly Acoustic Nylon CTD 1/2 Saddles Nylon CTD Side Saddles Chrome Plated Copper.....	10,11
POWDER COATED SADDLES FOR DWV Saddles Stand Off Saddles.....	12
STAINLESS STEEL SADDLES FOR DWV Saddles Stand Off Saddles.....	12
STORMWATER SADDLES Saddles Stand Off Saddles.....	12
DOMESTIC BOLTED CLIPS	
INTERCHANGEABLE CLIPPING SYSTEM	13,14
PIPE CLIP HEADS DWV DWV Clip Heads Stainless Steel DWV Expansion Clip Heads Copper Clips Heads HDPE.....	15,16
WELDED NUT	16
PIPE CLIP HEADS Pressure Pressure Stainless Steel BSP Stainless Steel Gas Pipe Clip Heads and Brackets.....	17,18
BRACKETS & SHANKS Brackets and Shanks Stainless Steel Brackets and Shanks.....	19,20
HANGING CLIPS DWV Pipe 450mm Shank.....	20
SPECIALTY PLASTIC PLUMBING PRODUCTS	
SPACE SAVER KITS Single Double Triple.....	21
INCREASERS & REDUCERS	21
PLUG & WASTE EXTENSIONS	21
LAUNDRY ACCESSORIES	21
AIR ADMITTANCE VALVES	22,23
BOTTLE TRAPS	22
WC CONNECTORS	22
FLEXIBLE WASTE CONNECTORS	22
RANGEHOOD FLUE KITS	24
EASY HOOKERS	
WATER HOOKERS Flex Cone 8mm Flex Cone 8mm PVC Coated Elbow Hookers Flat Seats 8mm Brass Cone 10mm Flat Seats 20mm Single Lever Mixer Hose.....	25,26
DISHWASHER/WASHING MACHINE HOSES 10mm Stainless Steel 10mm Nylon Flex Cone BSP (Female) Flex Cone BSP (Male).....	26
GAS HOOKERS Brass Cone (Female) 10mm Brass Cone (Female) 20mm Brass Cone (Male) 15mm Brass Cone (Male) 20mm Bayonets (Female) 10mm Bayonets (Female) 15mm.....	27
BRASS CONE 20mm (Male) 20mm.....	27
EASY HOOKER TABLE	28

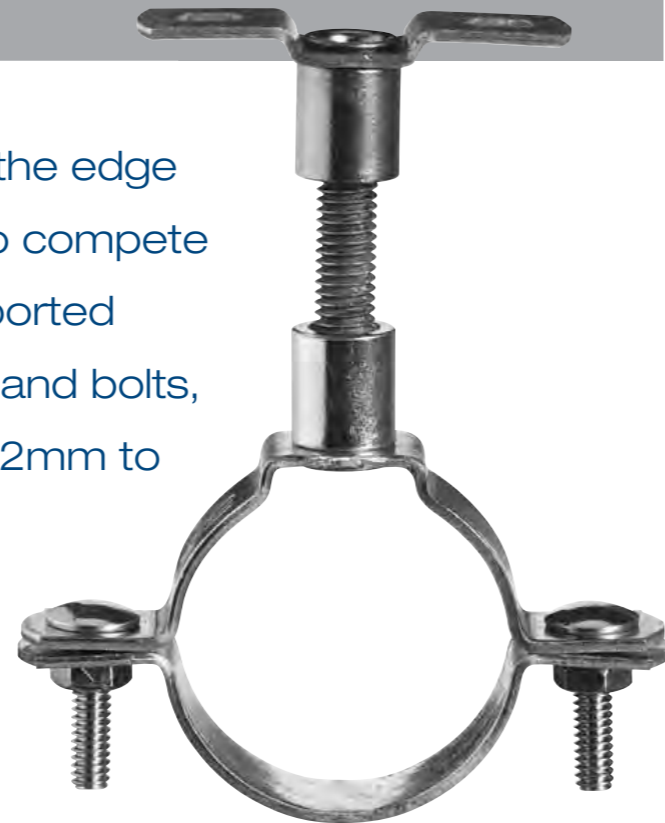
INDUSTRIAL BOLTED CLIPS

WELDED NUT CLIPS

DWV | Copper

Abey's range of Welded Nut Clips have the edge on quality, range and price that is sure to compete with even the cheapest no-name or imported brands. Complete with high tensile nuts and bolts, they are available in sizes ranging from 12mm to 300mm to suit DWV, Copper, BSP and HDPE pipes.

Conform to Australian Standards – 3500.2.2-1996
Test results are available upon request.



FOR DWV PIPE	ITEM CODE NO.	ITEM DESCRIPTION & SIZE	BOX QTY	MATERIAL SIZE
	5170	Welded Nut Clip DWV 40mm x M10	25	2.0 x 20mm
	5171	Welded Nut Clip DWV 50mm x M10	25	2.0 x 20mm
	5172	Welded Nut Clip DWV 65mm x M10	25	2.0 x 20mm
	5173	Welded Nut Clip DWV 80mm x M10	25	2.0 x 20mm
	5176	Welded Nut Clip DWV 90mm x M10	25	2.0 x 20mm
	5174	Welded Nut Clip DWV 100mm x M10	25	2.0 x 22mm
	5175	Welded Nut Clip DWV 150mm x M10	10	3.0 x 25mm
	5161	Welded Nut Clip DWV 225mm x M12	1	3.0 x 25mm
	5162	Welded Nut Clip DWV 300mm x M12	1	3.0 x 25mm
	FOR COPPER PIPE	ITEM CODE NO.	ITEM DESCRIPTION & SIZE	BOX QTY
	5165	Weld Nut Clip CU 12mm (1/2") x M10	25	2.0 x 20mm
	5166	Weld Nut Clip CU 15mm (5/8") x M10	25	2.0 x 20mm
	5177	Weld Nut Clip CU 20mm (3/4") x M10	25	2.0 x 20mm
	5178	Weld Nut Clip CU 25mm (1") x M10	25	2.0 x 20mm
	5179	Weld Nut Clip CU 32mm (1 1/4") x M10	25	2.0 x 20mm
	5180	Weld Nut Clip CU 40mm (1 1/2") x M10	25	2.0 x 20mm
	5181	Weld Nut Clip CU 50mm (2") x M10	25	2.0 x 20mm
	5182	Weld Nut Clip CU 65mm (2 1/2") x M10	25	2.0 x 20mm
	5183	Weld Nut Clip CU 75mm (3") x M10	25	2.0 x 20mm
	5184	Weld Nut Clip CU 100mm (4") x M10	25	2.0 x 22mm
	5185	Weld Nut Clip CU 150mm (6") x M12	10	3.0 x 25mm
5163	Weld Nut Clip CU 200mm (8") x M12	1	3.0 x 25mm	

INDUSTRIAL BOLTED CLIPS

WELDED NUT CLIPS

BSP | HDPE | Purlin Brackets | Stand Off Brackets

FOR BSP PIPE	ITEM CODE NO.	ITEM DESCRIPTION & SIZE	BOX QTY	MATERIAL SIZE
	5187	Welded Nut Clip BSP 12mm x M10	25	2.0 x 20mm
	5188	Welded Nut Clip BSP 20mm x M10	25	2.0 x 20mm
	5189	Welded Nut Clip BSP 25mm x M10	25	2.0 x 20mm
	5190	Welded Nut Clip BSP 32mm x M10	25	2.0 x 20mm
	5191	Welded Nut Clip BSP 40mm x M10	25	2.0 x 20mm
	5192	Welded Nut Clip BSP 50mm x M10	25	2.0 x 20mm
	5193	Welded Nut Clip BSP 65mm x M10	25	2.0 x 20mm
	5194	Welded Nut Clip BSP 80mm x M10	25	2.0 x 20mm
	5195	Welded Nut Clip BSP 100mm x M10	25	2.0 x 20mm
	5196	Welded Nut Clip BSP 150mm x M12	10	5.0 x 32mm
FOR HDPE	ITEM CODE NO.	ITEM DESCRIPTION & SIZE	BOX QTY	MATERIAL SIZE
 (Hi Density Polyethylene Coated Black)	5140	WD Nut Clip HDPE OD 40 x M10	25	2.0 x 20mm
	5141	WD Nut Clip HDPE OD 50 x M10	25	2.0 x 20mm
	5142	WD Nut Clip HDPE OD 56 x M10	25	2.0 x 20mm
	5143	WD Nut Clip HDPE OD 63 x M10	25	2.0 x 20mm
	5144	WD Nut Clip HDPE OD 75 x M10	25	2.0 x 20mm
	5145	WD Nut Clip HDPE OD 90 x M10	25	2.0 x 20mm
	5146	WD Nut Clip HDPE OD 110 x M10	25	2.0 x 22mm
	5147	WD Nut Cl. HDPE EXP. SOCK 110 x M10	25	2.0 x 22mm
	5148	WD Nut Clip HDPE OD 125 x M12	10	3.0 x 25mm
	5149	WD Nut Clip HDPE OD 160 x M12	10	3.0 x 25mm
WELDED NUT PURLIN BRACKET	ITEM CODE NO.	ITEM DESCRIPTION & SIZE	BOX QTY	MATERIAL SIZE
	5210	Purlin Bracket W/10mm Welded Nut	50	3.0 x 25mm
	5212	Mounting Plate Vertical x M10	50	3.0 x 25mm
	5213	Mounting Plate Vertical x M12	50	3.0 x 25mm
	5214	Mounting Plate Horizontal x M10	50	3.0 x 25mm
	5215	Mounting Plate Horizontal x M12	50	3.0 x 25mm
WELDED NUT STAND OFF BRACKET	ITEM CODE NO.	ITEM DESCRIPTION & SIZE	BOX QTY	MATERIAL SIZE
	5160	WD Nut Stand Off Bracket x M10	25	2.0 x 20mm
	5168	WD Nut Stand Off Bracket x M12	25	3.0 x 25mm

INDUSTRIAL BOLTED CLIPS

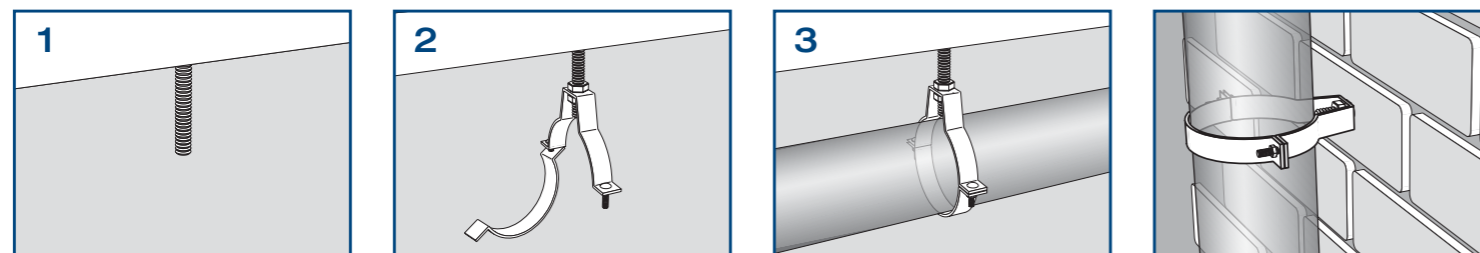
ALL THREAD CLIPS

DWV | Copper | BSP

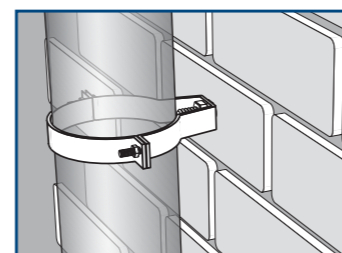
Generally used for industrial use in a range of sizes to suit DWV, Copper, and BSP pipe. No welds and made from powder coated galvanised steel to eliminate corrosion, Abey's All Thread Clips offer unique feature for adjustment of pipe fall.



FOR DWV PIPE	ITEM CODE NO.	ITEM DESCRIPTION & SIZE	BOX QTY	MATERIAL SIZE
	0170	All Thread Clip DWV 40mm	25	2.0 x 20mm
	0171	All Thread Clip DWV 50mm	25	2.0 x 20mm
	0172	All Thread Clip DWV 65mm	25	2.0 x 20mm
	0173	All Thread Clip DWV 80mm	25	2.0 x 20mm
	0174	All Thread Clip DWV 100mm	25	2.0 x 20mm
	0175	All Thread Clip DWV 150mm	10	3.0 x 25mm
FOR COPPER PIPE	ITEM CODE NO.	ITEM DESCRIPTION & SIZE	BOX QTY	MATERIAL SIZE
	0180	All Thread Clip CU 40mm (1 1/2")	25	2.0 x 20mm
	0181	All Thread Clip CU 50mm (2")	25	2.0 x 20mm
	0182	All Thread Clip CU 65mm (2 1/2")	25	2.0 x 20mm
	0183	All Thread Clip CU 75mm (3")	25	2.0 x 20mm
	0184	All Thread Clip CU 100mm (4")	25	2.0 x 20mm
	0185	All Thread Clip CU 150mm (6")	10	3.0 x 25mm
FOR BSP PIPE	ITEM CODE NO.	ITEM DESCRIPTION & SIZE	BOX QTY	MATERIAL SIZE
	0190	All Thread Clip BSP 32mm	25	2.0 x 20mm
	0191	All Thread Clip BSP 40mm	25	2.0 x 20mm
	0192	All Thread Clip BSP 50mm	25	2.0 x 20mm
	0193	All Thread Clip BSP 65mm	25	2.0 x 20mm
	0194	All Thread Clip BSP 80mm	25	2.0 x 20mm
	0195	All Thread Clip BSP 100mm	25	2.0 x 20mm
	0196	All Thread Clip BSP 150mm	10	3.0 x 25mm



1 Trim thread to length and secure to masonry anchor point. 2 Position bracket and swing lower section out of the way as shown. 3 Fit pipe and secure lower section with bolts and nuts supplied.



Noose can also be used as a stand off clip for vertical pipes.

INDUSTRIAL BOLTED CLIPS

STAND OFF CLIPS

DWV | Copper | BSP

Available in a range of sizes to fit all Copper, DWV and BSP pipes, Abey's Stand Off Clips are easy to position and fit, even with existing pipework and offer a neater looking finish. Galvanised, powder coated and manufactured without welds to eliminate corrosion.



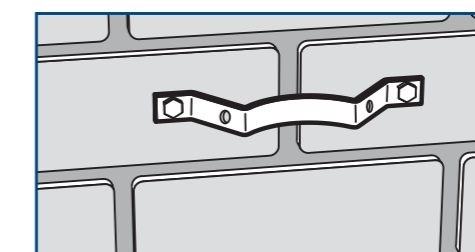
FOR DWV PIPE	ITEM CODE NO.	ITEM DESCRIPTION & SIZE	BOX QTY	MATERIAL SIZE
	0120	Stand Off Clip DWV 40mm	25	1.5 x 20mm
	0121	Stand Off Clip DWV 50mm	25	1.5 x 20mm
	0122	Stand Off Clip DWV 65mm	25	1.5 x 20mm
	0123	Stand Off Clip DWV 80mm	25	1.5 x 20mm
	0124	* Stand Off Clip DWV 100mm	25	2.0 x 20mm
	1025	* Stand Off Clip DWV 150mm	10	3.0 x 25mm
	0126	Stand Off Clip DWV 90mm	25	1.5 x 20mm
FOR COPPER PIPE	ITEM CODE NO.	ITEM DESCRIPTION & SIZE	BOX QTY	MATERIAL SIZE
	0130	Stand Off Clip CU 40mm (1 1/2")	25	1.5 x 20mm
	0131	Stand Off Clip CU 50mm (2")	25	1.5 x 20mm
	0132	Stand Off Clip CU 65mm (2 1/2")	25	1.5 x 20mm
	0133	Stand Off Clip CU 75mm (3")	25	1.5 x 20mm
	0134	* Stand Off Clip CU 100mm (4")	25	2.0 x 20mm
	0135	* Stand Off Clip CU 150mm (6")	10	3.0 x 25mm
	FOR BSP PIPE	ITEM CODE NO.	ITEM DESCRIPTION & SIZE	BOX QTY
	0139	Stand Off Clip BSP 25mm	25	1.5 x 20mm
	0140	Stand Off Clip BSP 32mm	25	1.5 x 20mm
	0141	Stand Off Clip BSP 40mm	25	1.5 x 20mm
	0142	Stand Off Clip BSP 50mm	25	1.5 x 20mm
	0143	Stand Off Clip BSP 65mm	25	1.5 x 20mm
	0144	Stand Off Clip BSP 80mm	25	1.5 x 20mm
	0145	* Stand Off Clip BSP 100mm	25	2.0 x 20mm
	0146	* Stand Off Clip BSP 150mm	10	3.0 x 25mm

INSTALLATIONS FOR EXISTING PIPEWORK

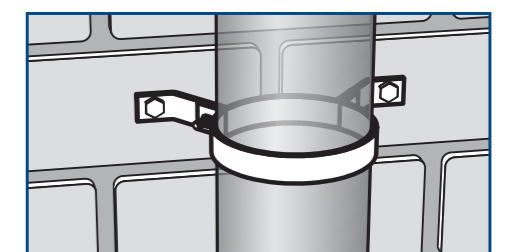


Fit bracket around existing pipework and drill through bolt holes into wall.

INSTALLATIONS FOR NEW PIPEWORK



Position bracket base and fasten to wall.



Secure front of bracket with bolts and nuts supplied.

* Now produced from thicker material for industrial strength.

INDUSTRIAL BOLTED CLIPS

ACOUSTIC CLIPS

Copper | Welded Nut Clips – Copper

Abey have proudly developed an Australian designed and produced system for quieter, easier, faster and cost-effective acoustic pipe clipping – designed to reduce pipe vibration using a unique rubber lining between the clamp and pipe.



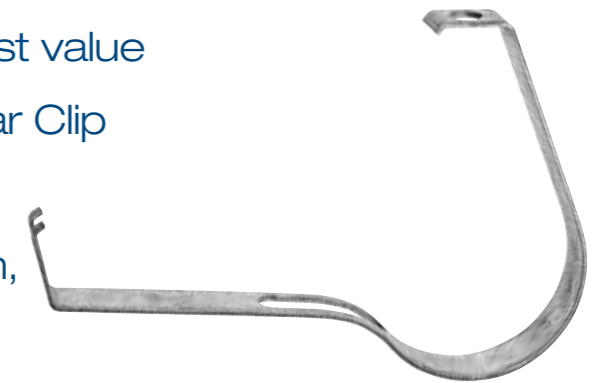
FOR COPPER PIPE	ITEM CODE NO.	ITEM DESCRIPTION & SIZE	BOX QTY	MATERIAL SIZE
	6130	Ac Standoff Clip CU 40mm (1 1/2")	25	1.5 x 20mm
	6131	Ac Stand Off Clip CU 50mm (2")	25	1.5 x 20mm
	6132	Ac Standoff Clip CU 65mm (2 1/2")	25	1.5 x 20mm
	6133	Ac Standoff Clip CU 75mm (3")	25	1.5 x 20mm
	6134	Ac Standoff Clip CU 100mm (4")	25	1.5 x 20mm
	6135	Ac Standoff Clip CU 150mm (6")	10	3.0 x 25mm
ACOUSTIC WELDED NUT CLIPS – COPPER	ITEM CODE NO.	ITEM DESCRIPTION & SIZE	BOX QTY	MATERIAL SIZE
	6180	Ac Threaded Nut CU 40mm (1 1/2")	25	2.0 x 20mm
	6181	Ac Threaded Nut CU 50mm (2")	25	2.0 x 20mm
	6182	Ac Threaded Nut CU 65mm (2 1/2")	25	2.0 x 20mm
	6183	Ac Threaded Nut CU 75mm (3")	25	2.0 x 20mm
	6184	Ac Threaded Nut CU 100mm (4")	25	2.0 x 20mm
	6185	Ac Threaded Nut CU 150mm (6")	10	3.0 x 25mm
ACOUSTIC WELDED NUT CLIPS – COPPER	ITEM CODE NO.	ITEM DESCRIPTION & SIZE	BOX QTY	MATERIAL SIZE
	1467AC	Acc Saddle For Cpr Pipe 12mm (1/2")	50	0.8 x 16mm
	1469AC	Acc Saddle For Cpr Pipe 20mm (3/4")	50	1.0 x 18mm

INDUSTRIAL BOLTED CLIPS

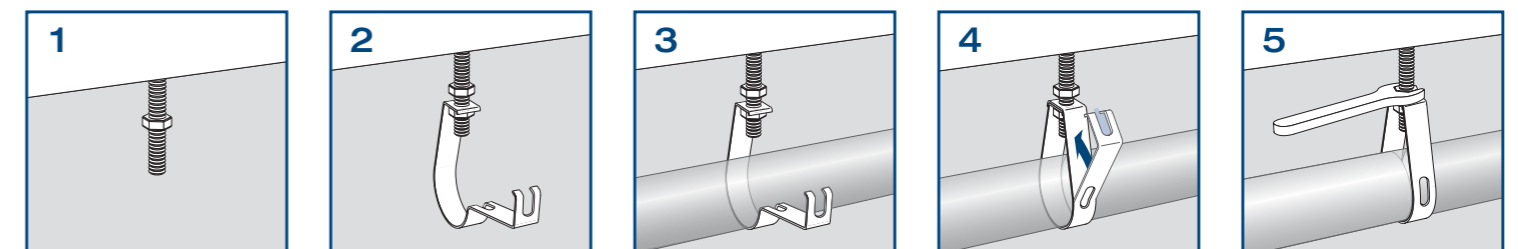
PEAR CLIPS

BSP | DWV | Copper

Abey's Pear Clips are the quickest, safest, best value clips on the market. A quality, easy to use Pear Clip which reduces installation time. Once you've experienced Abey's unique "snap lock" action, you'll never use ordinary pear clips again!



FOR BSP PIPE	ITEM CODE NO.	ITEM DESCRIPTION & SIZE	BOX QTY	MATERIAL SIZE	
	P20	Pear Clip BSP NB20 20mm	75	1.5 x 20mm	
	P25	Pear Clip BSP NB25 25mm	60	1.5 x 20mm	
	P32	Pear Clip BSP NB32 32mm	50	2.0 x 20mm	
	P40	Pear Clip BSP NB40 40mm	40	2.0 x 20mm	
	P50	Pear Clip BSP NB50 50mm	30	2.0 x 20mm	
	P65	Pear Clip BSP NB65 65mm	30	2.0 x 20mm	
	PH80	Pear Clip BSP NB80 80mm	20	3.0 x 25mm	
	PH100	Pear Clip BSP NB100 100mm	10	4.0 x 30mm	
	PH150	Pear Clip BSP NB150 150mm	10	5.0 x 32mm	
	FOR DWV PIPE	ITEM CODE NO.	ITEM DESCRIPTION & SIZE	BOX QTY	MATERIAL SIZE
		P40C	Pear Clip DWV DN40 40mm	40	2.0 x 20mm
P50C		Pear Clip DWV DN50 50mm	30	2.0 x 20mm	
P65C		Pear Clip DWV DN65 65mm	30	2.0 x 20mm	
PH90C		Pear Clip DWV DN90 90mm	20	2.0 x 20mm	
P100C		Pear Clip DWV DN100 100mm	20	2.0 x 20mm	
P150C		Pear Clip DWV DN150 150mm	10	2.0 x 25mm	
P250C		Pear Clip DWV DN250 250mm	10	2.0 x 30mm	
FOR COPPER PIPE		ITEM CODE NO.	ITEM DESCRIPTION & SIZE	BOX QTY	MATERIAL SIZE
	P80	Pear Clip Copper DN80 80mm	20	3.0 x 25mm	
	P100	Pear Clip Copper DN100 100mm	20	3.0 x 25mm	
	P150	Pear Clip Copper DN150 150mm	10	5.0 x 32mm	



1 Trim thread to length and secure to masonry anchor point. Spin on top nut. **2** Slide Pear Clip over thread, and attach second nut below clip, adjusting to required height. Do not tighten top nut (leave a gap of approx. 5mm). **3** Hang pipe on bracket. Pear Clip will hold pipe temporarily, until fastened. **4** Simply push edge of Pear Clip upwards as shown. Clip will fit around bolt and 'snap' into place, locking shut. **5** Tighten top nut to hold Pear Clip firmly.

FIRE SERVICE CLIPPING SYSTEMS

FIRE SERVICE

Welded Nut Clips | Saddle Clip – Long | Saddle Clip – Twist
Saddle Clips for BSP Pipe

Abey's new fire service clipping systems have been designed with the installer in mind. You'll have peace of mind with superior strength and save time and money on installations with Abey's revolutionary "snap lock" Pear Clip system.

Conform to Australian Standards – 2118.9-1995
Test results are available upon request.



WELDED NUT CLIP FOR BSP PIPE	ITEM CODE NO.	ITEM DESCRIPTION & SIZE	BOX QTY	MATERIAL SIZE
	5110	Weld. Nut Cl. Fire Serv. NB25 x M10	25	3.0 x 25mm
	5111	Weld. Nut Cl. Fire Serv. NB32 x M10	25	3.0 x 25mm
	5112	Weld. Nut Cl. Fire Serv. NB40 x M10	25	3.0 x 25mm
	5113	Weld. Nut Cl. Fire Serv. NB50 x M10	25	3.0 x 25mm
	5114	Weld. Nut Cl. Fire Serv. NB65 x M12	25	3.0 x 25mm
	5115	Weld. Nut Cl. Fire Serv. NB80 x M12	25	3.0 x 25mm
	5116	Weld. Nut Cl. Fire Serv. NB100 x M12	25	3.0 x 25mm
5117	Weld. Nut Cl. Fire Serv. NB150 x M12	10	5.0 x 32mm	
SADDLE CLIP – LONG FOR BSP PIPE	ITEM CODE NO.	ITEM DESCRIPTION & SIZE	BOX QTY	MATERIAL SIZE
	1443	Saddle Fire Service Long NB25 25mm	100	1.5 x 25mm
	1444	Saddle Fire Service Long NB32 32mm	100	1.5 x 25mm
	1445	Saddle Fire Service Long NB40 40mm	100	1.5 x 25mm
	1446	Saddle Fire Service Long NB50 50mm	100	1.5 x 25mm
	SADDLE CLIP – TWIST FOR BSP PIPE	ITEM CODE NO.	ITEM DESCRIPTION & SIZE	BOX QTY
	1447	Saddle Fire Twisted NB25 25mm	100	1.5 x 25mm
	1448	Saddle Fire Twisted NB32 32mm	100	1.5 x 25mm
	1449	Saddle Fire Twisted NB40 40mm	100	1.5 x 25mm
	1450	Saddle Fire Twisted NB50 50mm	100	1.5 x 25mm
	SADDLE CLIP FOR BSP PIPE	ITEM CODE NO.	ITEM DESCRIPTION & SIZE	BOX QTY
	1400	Saddle Gal NB15 12mm BSP	100	1.0 x 20mm
	1401	Saddle Gal NB20 20mm BSP	100	1.0 x 20mm
	1402	Saddle Gal NB25 25mm BSP	100	1.0 x 25mm
	1403	Saddle Gal NB32 32mm BSP	100	1.2 x 25mm
	1404	Saddle Gal NB40 40mm BSP	50	1.2 x 25mm
	1405	Saddle Gal NB50 50mm BSP	50	1.2 x 25mm

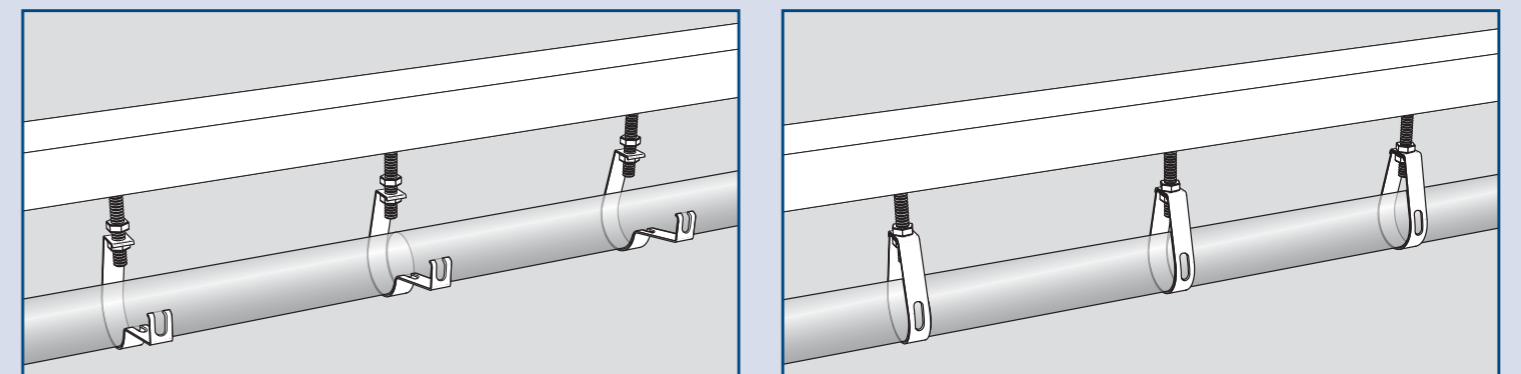
DN – Diameter Nominal NB – Nominal Bore

FIRE SERVICE CLIPPING SYSTEMS

FIRE SERVICE

Welded Nut Purlin Bracket | Welded Nut Stand Off Bracket
Pear Clip for BSP Pipe

WELDED NUT PURLIN BRACKET	ITEM CODE NO.	ITEM DESCRIPTION & SIZE	BOX QTY	MATERIAL SIZE
	5210	Purlin Bracket W/10mm Welded Nut	50	3.0 x 25mm
	5212	Mounting Plate Vertical x M10	50	3.0 x 25mm
	5213	Mounting Plate Vertical x M12	50	3.0 x 25mm
	5214	Mounting Plate Horizontal x M10	50	3.0 x 25mm
	5215	Mounting Plate Horizontal x M12	50	3.0 x 25mm
WELDED NUT STAND OFF BRACKET	ITEM CODE NO.	ITEM DESCRIPTION & SIZE	BOX QTY	MATERIAL SIZE
	5160	WD Nut Stand Off Bracket x M10	25	3.0 x 25mm
	5168	WD Nut Stand Off Bracket x M12	25	3.0 x 25mm
PEAR CLIP FOR BSP PIPE	ITEM CODE NO.	ITEM DESCRIPTION & SIZE	BOX QTY	MATERIAL SIZE
	P20	Pear Clip BSP NB20 20mm	75	1.5 x 20mm
	P25	Pear Clip BSP NB25 25mm	60	1.5 x 20mm
	P32	Pear Clip BSP NB32 32mm	50	2.0 x 20mm
	P40	Pear Clip BSP NB40 40mm	40	2.0 x 20mm
	P50	Pear Clip BSP NB50 50mm	30	2.0 x 20mm
	P65	Pear Clip BSP NB65 65mm	30	2.0 x 20mm
	PH80	Pear Clip BSP NB80 80mm	20	3.0 x 25mm
	PH100	Pear Clip BSP NB100 100mm	10	4.0 x 30mm
	PH150	Pear Clip BSP NB150 150mm	10	5.0 x 32mm



Abey Pear Clips will support the pipe, allowing any adjustments to be made prior to tightening. Once pipe is correctly positioned you simply "snap lock" the Pear Clip shut and tighten top nut.

DOMESTIC CLIPPING SYSTEMS

SADDLE CLIPS

BSP | Pressure | Poly | Acoustic

Abey sets the standards with an extensive range of high quality G2-Z275 galvanised steel and powder coated saddle clips. Conforming to AS3500 3.3.3, they offer the ultimate protection against electrolysis, corrosion and water hammering.



FOR BSP PIPE	ITEM CODE NO.	ITEM DESCRIPTION & SIZE	BOX QTY	MATERIAL SIZE
	1400	Saddle Gal NB15 15mm BSP	100	1.0 x 20mm
	1401	Saddle Gal NB20 20mm BSP	100	1.0 x 22mm
	1402	Saddle Gal NB25 25mm BSP	100	1.0 x 25mm
	1403	Saddle Gal NB32 32mm BSP	100	1.2 x 25mm
	1404	Saddle Gal NB40 40mm BSP	50	1.2 x 25mm
	1405	Saddle Gal NB50 50mm BSP	50	1.2 x 25mm
FOR PRESSURE PIPE	ITEM CODE NO.	ITEM DESCRIPTION & SIZE	BOX QTY	MATERIAL SIZE
	1421	Saddle Pressure Pipe DN15 15mm	100	1.0 x 20mm
	1422	Saddle Pressure Pipe DN20 20mm	100	1.0 x 22mm
	1423	Saddle Pressure Pipe DN25 25mm	100	1.0 x 25mm
	1424	Saddle Pressure Pipe DN32 32mm	100	1.2 x 25mm
	1425	Saddle Pressure Pipe DN40 40mm	50	1.2 x 25mm
	1426	Saddle Pressure Pipe DN50 50mm	50	1.2 x 25mm
	FOR POLY PIPE	ITEM CODE NO.	ITEM DESCRIPTION & SIZE	BOX QTY
	1431	Saddle Poly Pipe DN18 18mm	100	0.8 x 16mm
	1432	Saddle Poly Pipe DN20 20mm	100	0.8 x 16mm
	1433	Saddle Poly Pipe DN25 25mm	100	1.0 x 18mm
ACOUSTIC FOR COPPER	ITEM CODE NO.	ITEM DESCRIPTION & SIZE	BOX QTY	MATERIAL SIZE
	1467AC	Ac Saddle For Cpr Pipe 12mm (1/2")	50	0.8 x 16mm
	1469AC	Ac Saddle For Cpr Pipe 20mm (3/4")	50	1.0 x 18mm

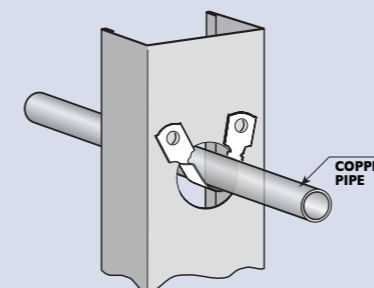
DN - Diameter Nominal NB - Nominal Bore

DOMESTIC CLIPPING SYSTEMS

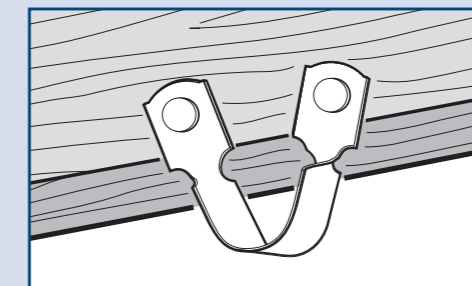
SADDLE CLIPS

Nylon CTD | 1/2 Saddles Nylon CTD | Side Saddles
Chrome Plated | Copper

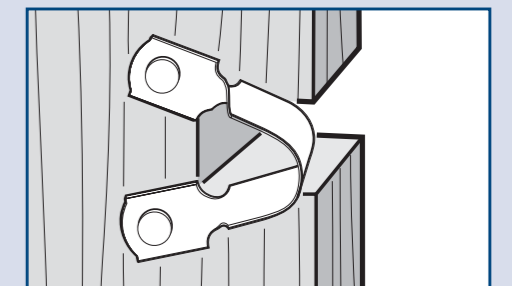
NYLON COATED FOR COPPER PIPE	ITEM CODE NO.	ITEM DESCRIPTION & SIZE	BOX QTY	MATERIAL SIZE
	1467	Saddle CU CTD DN15 12mm (1/2")	200	0.6 x 13mm
	1468	Saddle CU CTD DN18 16mm (5/8")	200	0.8 x 15mm
	1469	Saddle CU CTD DN20 20mm (3/4")	200	0.8 x 15mm
	1470	Saddle CU CTD DN25 25mm (1")	200	1.0 x 15mm
	1471	Saddle CU CTD DN32 32mm (1 1/4")	20	1.0 x 16mm
	1472	Saddle CU CTD DN40 40mm (1 1/2")	20	1.0 x 16mm
	1473	Saddle CU CTD DN50 50mm (2")	20	1.0 x 18mm
1/2 SADDLES NYLON CTD FOR COPPER PIPE	ITEM CODE NO.	ITEM DESCRIPTION & SIZE	BOX QTY	MATERIAL SIZE
	1476	Half Sdle Nylon CTD DN15 12mm (1/2")	200	1.0 x 12mm
	1477	Half Sdle Nylon CTD DN20 20mm (3/4")	200	1.2 x 16mm
SIDE SADDLES NYLON CTD FOR COPPER PIPE	ITEM CODE NO.	ITEM DESCRIPTION & SIZE	BOX QTY	MATERIAL SIZE
	1480	Saddle Side DN15 12mm (1/2")	100	0.8 x 13mm
	1481	Saddle Side DN20 20mm (3/4")	100	1.0 x 13mm
CHROME PLATED FOR COPPER PIPE	ITEM CODE NO.	ITEM DESCRIPTION & SIZE	BOX QTY	MATERIAL SIZE
	1664	Saddle Chrome DN15 12mm (1/2")	100	0.6 x 13mm
	1666	Saddle Chrome DN20 20mm (3/4")	100	0.8 x 15mm
	1667	Saddle Chrome DN25 25mm (1")	100	1.0 x 16mm
COPPER FOR COPPER PIPE	ITEM CODE NO.	ITEM DESCRIPTION & SIZE	BOX QTY	MATERIAL SIZE
	1681	Saddle Copper DN6 6mm (1/4")	100	0.6 x 11mm
	1682	Saddle Copper DN8 8mm (5/16")	100	0.6 x 11mm
	1683	Saddle Copper DN10 10mm (3/8")	100	0.6 x 11mm
	1684	Saddle Copper DN15 12mm (1/2")	200	0.6 x 13mm
	1685	Saddle Copper DN18 16mm (5/8")	200	0.8 x 15mm
	1686	Saddle Copper DN20 20mm (3/4")	200	0.8 x 15mm
	1687	Saddle Copper DN25 25mm (1")	200	0.8 x 15mm



Side Saddle Clips Nylon Coated for copper pipe.



Typical floor bearer application.





Typical stud wall application.

DN - Diameter Nominal

DOMESTIC CLIPPING SYSTEMS

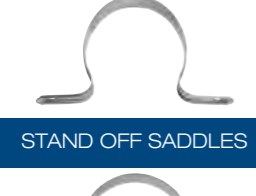

POWDER COATED SADDLES FOR DWV

Saddles | Stand Off Saddles

SADDLES	ITEM CODE NO.	ITEM DESCRIPTION & SIZE	BOX QTY	MATERIAL SIZE
	1706	Saddle DWV DN40 40mm	100	1.0 x 20mm
	1707	Saddle DWV DN50 50mm	100	1.0 x 20mm
	1708	Saddle DWV DN65 65mm	50	1.0 x 20mm
	1709	Saddle DWV DN80 80mm	50	1.0 x 20mm
	1710	Saddle DWV DN100 100mm	50	1.2 x 20mm
STAND OFF SADDLES	ITEM CODE NO.	ITEM DESCRIPTION & SIZE	BOX QTY	MATERIAL SIZE
	1691	Saddle DWV Stand Off DN40 40mm	100	1.0 x 20mm
	1692	Saddle DWV Stand Off DN50 50mm	100	1.0 x 20mm
	1694	Saddle DWV Stand Off DN65 65mm	50	1.0 x 20mm
	1695	Saddle DWV Stand Off DN80 80mm	50	1.0 x 20mm
	1693	Saddle DWV Stand Off DN100 100mm	50	1.5 x 20mm

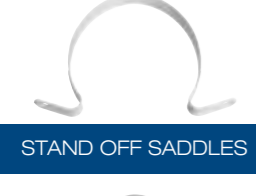

STAINLESS STEEL SADDLES FOR DWV

Saddles | Stand Off Saddles

SADDLES	ITEM CODE NO.	ITEM DESCRIPTION & SIZE	BOX QTY	MATERIAL SIZE
	1706S	Saddle DWV DN40 40mm SS	50	0.9 x 20mm
	1707S	Saddle DWV DN50 50mm SS	50	0.9 x 20mm
	1710S	Saddle DWV DN100 100mm SS	50	1.2 x 20mm
STAND OFF SADDLES	ITEM CODE NO.	ITEM DESCRIPTION & SIZE	BOX QTY	MATERIAL SIZE
	1691S	Saddle DWV Stand Off DN 40mm SS	50	0.9 x 20mm
	1692S	Saddle DWV Stand Off DN50 50mm SS	50	0.9 x 20mm
	1693S	Saddle DWV Stand Off DN100 100mm SS	50	1.5 x 20mm

STORMWATER SADDLES

Saddles | Stand Off Saddles

SADDLES	ITEM CODE NO.	ITEM DESCRIPTION & SIZE	BOX QTY	MATERIAL SIZE
	1909	DPC Stormwater 75mm	20	0.9 x 38mm
	1910/50	DPC Stormwater 90mm	50	0.9 x 20mm
	1910S	DPC Storm Water 90mm SS	20	0.9 x 20mm
STAND OFF SADDLES	ITEM CODE NO.	ITEM DESCRIPTION & SIZE	BOX QTY	MATERIAL SIZE
	1696	Saddle DWV Stand Off DN90 80mm	50	1.2 x 20mm
	1696S	Saddle DWV Std Off 90mm SS	50	1.2 x 20mm

DN - Diameter Nominal

INTERCHANGEABLE CLIPPING SYSTEM

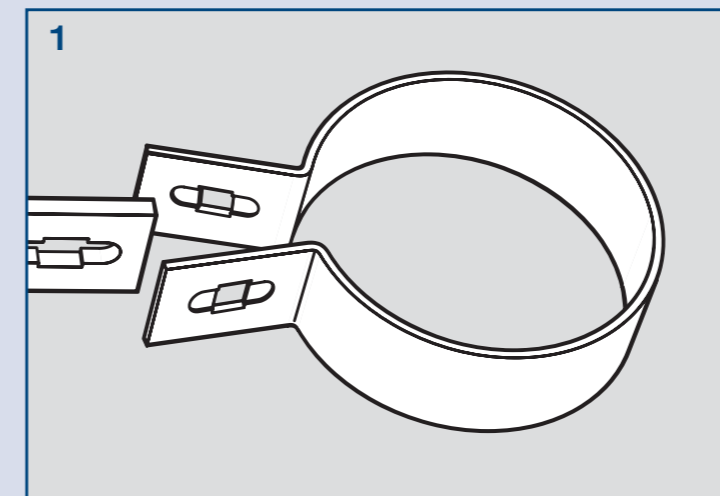
INTERCHANGEABLE

Bolted Clips & Brackets

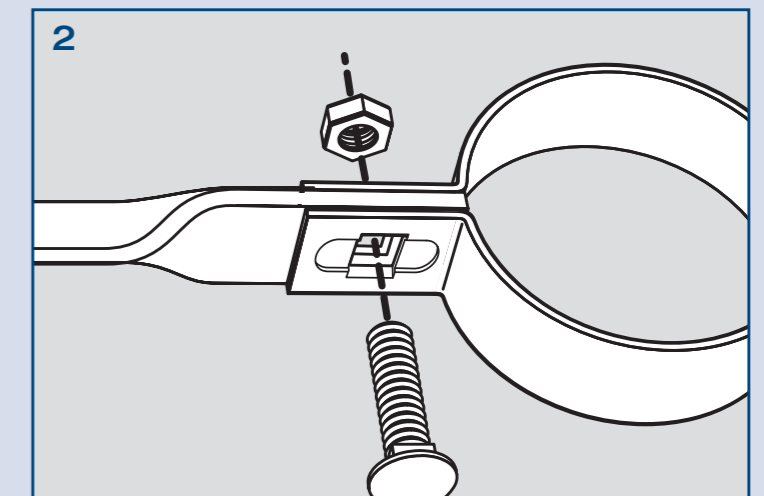
Abey's Interchangeable Bolted Clipping System offers the only complete, fully engineered range of clips, extensions, shanks and brackets to fit the entire spectrum of Copper, BSP, HDPE and DWV pipe fitting needs.

The world leaders in this field, Abey have designed and produced their range to fulfill both the engineering and versatility requirements of plumbers and tradespeople, and the aesthetic considerations of architects and end users.

The world's first range of streamline clips which dispelled the need for unsightly lugs or bolts, Abey's system is the only fully precision engineered range available that's both simple to use and reduces the stocking inventory of an entire range by two thirds. All Clip Heads are manufactured from G2-Z275 Galvanised Steel and then Powder Coated for added protection.



Abey's Bolted Clipping System is the only fully engineered system featuring elongated recess and square hole.



These features ensure correct positioning and non-movement across the highly versatile, interchangeable system of clips and brackets.

INTERCHANGEABLE CLIPPING SYSTEM

INTERCHANGEABLE

Bolted Clips & Brackets

BOLTED CLIPS	SIZE	0050, 0051 0052	0082 0059	0061M	0063	0060	0080	0066
		Built-In Style Brackets	Hanging Brackets	All Thread Brackets	Welded Nut	Stand Off Brackets	Adjustable Stand Off	V Legs
 DWV Pipe Clip Heads	40 - 150	✓	✓	✓	✓	✓	✓	✓
 DWV Pipe Clip Heads Stainless Steel	40 - 100	✓	✓	✓	✓	✓	✓	✓
 DWV Expansion Clip Heads	40 - 100	✓	✓	✓	✓	✓	✓	✓
 Copper Clip Heads	15 - 150	✓	✓	✓	✓	✓	✓	✓
 HDPE Pipe Clip Heads	40 - 160	✓	✓	✓	✓	✓	✓	✓
 Pressure Pipe Clip Heads	15 - 150	✓	✓	✓	✓	✓	✓	✓
 Pressure Stainless Steel Clip Heads	25 - 100	✓	✓	✓	✓	✓	✓	✓
 Galvanised Pipe Clip Heads	15 - 150	✓	✓	✓	✓	✓	✓	✓
 Stainless Steel Clip Heads	15 - 50	✓	✓	✓	✓	✓	✓	✓
 Gas Pipe Clip Heads	75 - 300	✓	✓	✓	✓	✓	✓	✓

DOMESTIC BOLTED CLIPS

PIPE CLIP HEADS

DWV | DWV Clips Heads Stainless Steel
DWV Expansion Clip Heads | Copper Clip Heads

All Abey DWV Bolted Clip Heads are engineered to meet the exact specifications for expansion and contraction for DWV pipe. Plus, they are galvanised and powder coated to last.

Abey is the only company to produce clips for expansion control joints to provide a firm fit at the expansion joint – as required by Australian Standards.




DWV PIPE CLIP HEADS	ITEM CODE NO.	ITEM DESCRIPTION & SIZE	BOX QTY	MATERIAL SIZE
	0001	B/C DWV DN40 40mm	20	1.5 x 20mm
	0002	B/C DWV DN50 50mm	20	1.5 x 20mm
	0003	B/C DWV DN65 65mm	20	1.5 x 20mm
	0004	B/C DWV DN80 80mm	20	1.5 x 20mm
	0049*	B/C DWV DN90 90mm	20	1.5 x 20mm
	0005	B/C DWV DN100 100mm	20	1.5 x 20mm
	0006	B/C DWV DN150 150mm	20	2.4 x 20mm
DWV PIPE CLIP HEADS STAINLESS STEEL	ITEM CODE NO.	ITEM DESCRIPTION & SIZE	BOX QTY	MATERIAL SIZE
	0001S	B/C DWV DN40 40mm SS	20	1.5 x 20mm
	0002S	B/C DWV DN50 50mm SS	20	1.5 x 20mm
	0010S*	B/C Stormwater DN90 90mm SS	20	1.5 x 20mm
	0005S	B/C DWV DN100 100mm SS	20	1.5 x 20mm
DWV EXPANSION CLIP HEADS	ITEM CODE NO.	ITEM DESCRIPTION & SIZE	BOX QTY	MATERIAL SIZE
	0007	B/C Exp DN40 40mm	20	1.5 x 20mm
	0008	B/C Expansion DN50 50mm	20	1.5 x 20mm
	0009	B/C Expansion DN65 65mm	20	1.5 x 20mm
	0010	B/C Expansion DN80 80mm	20	1.5 x 20mm
	0011	B/C Expansion DN100 100mm	20	1.5 x 20mm
COPPER CLIP HEADS	ITEM CODE NO.	ITEM DESCRIPTION & SIZE	BOX QTY	MATERIAL SIZE
	0026	B/C CU DN15 15mm (5/8")	20	1.0 x 20mm
	0027	B/C CU DN20 20mm (3/4")	20	1.0 x 20mm
	0028	B/C CU DN25 25mm (1")	20	1.0 x 20mm
	0029	B/C CU DN32 32mm (1 1/4")	20	1.0 x 20mm
	0030	B/C CU DN40 40mm (1 1/2")	20	1.5 x 20mm
	0031	B/C CU DN50 50mm (2")	20	1.5 x 20mm
	0032	B/C CU DN65 65mm (2 1/2")	20	1.5 x 20mm
	0033	B/C CU DN80 75mm (3")	20	1.5 x 20mm
	0034	B/C CU DN100 100mm (4")	20	1.5 x 20mm
	0035	B/C CU DN150 150mm (6")	20	2.4 x 20mm

* Suits 90mm Stormwater pipe.
DN – Diameter Nominal NB – Nominal Bore

DOMESTIC BOLTED CLIPS

PIPE CLIP HEADS

HDPE


FOR HDPE PIPE (Hi Density Polyethylene Coated Black)	ITEM CODE NO.	ITEM DESCRIPTION & SIZE	BOX QTY	MATERIAL SIZE
	0160	B/C HDPE Pipe OD 40mm	20	1.5 x 20mm
	0161	B/C HDPE Pipe OD 50mm	20	1.5 x 20mm
	0162	B/C HDPE Pipe OD 56mm	20	1.5 x 20mm
	0163	B/C HDPE Pipe OD 63mm	20	1.5 x 20mm
	0164	B/C HDPE Pipe OD 75mm	20	1.5 x 20mm
	0165	B/C HDPE Pipe OD 90mm	20	1.5 x 20mm
	0166	B/C HDPE Pipe OD 110mm	20	1.5 x 20mm
	0167	B/C HDPE Exp Socket 110mm	20	1.5 x 20mm
	0168	B/C HDPE Pipe OD 125mm	10	2.0 x 20mm
	0169	B/C HDPE Pipe OD 160mm	10	2.4 x 20mm

OD - Outside Diameter

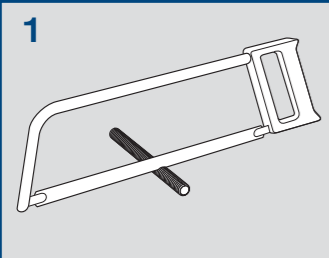
WELDED NUT

Welded Nut 3/8" | Welded Nut 10mm

Abey's Welded Nut is designed for use with the Abey Bolted Clipping System for pipework from 13-250mm diameter. Strength tested to 1500kg, Welded Nuts are available for 10mm all thread rod.

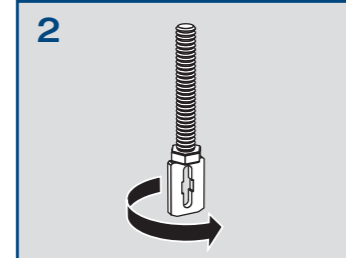
WELDED NUT	ITEM CODE NO.	ITEM DESCRIPTION & SIZE	BOX QTY	MATERIAL SIZE
	0063	Welded Nut 10mm	50	4.0 x 20mm

1



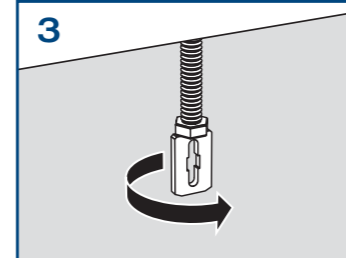
Cut all threaded rod to required length.

2



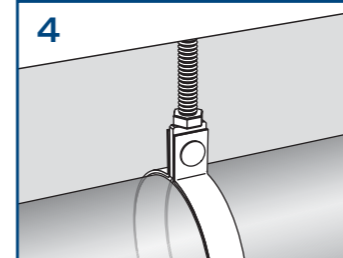
Screw Abey's Welded Nut onto end of all threaded rod.

3



Screw thread assembly into anchorage points in ceiling or wall and tighten with spanner.

4



Connect clip and pipe to assembly.

DOMESTIC BOLTED CLIPS

PIPE CLIP HEADS

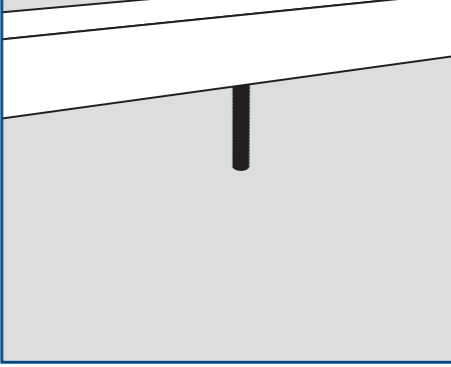
Pressure Pipe | Pressure Stainless Steel Pipe

Abey Pipe Clips are designed to suit heavier pipes where flexing of heavy gauge clip heads would be impossible or impractical, or retro fitting of clip heads onto existing pipework. Easy to use – galvanised and powder coated for long life.

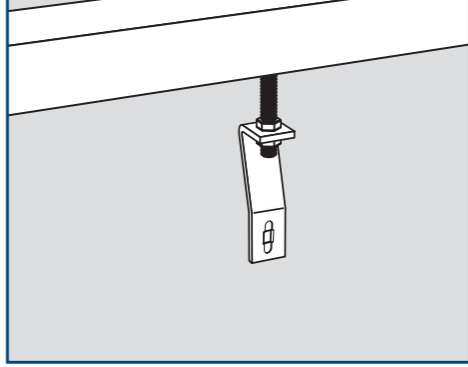


PRESSURE PIPE CLIP HEADS	ITEM CODE NO.	ITEM DESCRIPTION & SIZE	BOX QTY	MATERIAL SIZE
	0040	B/C Press DN15 15mm	20	1.2 x 20mm
	0041	B/C Press DN20 20mm	20	1.2 x 20mm
	0042	B/C Press DN25 25mm	20	1.2 x 20mm
	0043	B/C Press DN32 32mm	20	1.2 x 20mm
	0044	B/C Press DN40 40mm	20	1.5 x 20mm
	0045	B/C Press DN50 50mm	20	2.0 x 20mm
	0046	B/C Press DN65 65mm	20	2.0 x 20mm
	0047	B/C Press DN80 80mm	20	2.0 x 20mm
	0048	B/C Press DN100 100mm	20	2.0 x 20mm
	0072	B/C Press DN150 150mm	20	2.4 x 20mm
PRESSURE PIPE CLIP HEADS STAINLESS STEEL	ITEM CODE NO.	ITEM DESCRIPTION & SIZE	BOX QTY	MATERIAL SIZE
	0042S	B/C Press DN25 25mm SS	20	1.2 x 20mm
	0044S	B/C Press DN40 40mm SS	20	1.5 x 20mm
	0045S	B/C Press DN50 50mm SS	20	1.5 x 20mm
	0048S	B/C Press DN100 100mm SS	20	1.5 x 20mm

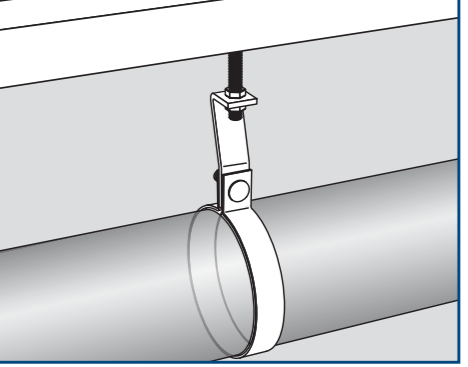
INSTALLATION SHOWING CLIP IN CONJUNCTION WITH ALL THREAD BRACKET



Cut threaded rod to length and fit to concrete.



Fit All Thread Bracket to threaded rod.





Fit bolted clip and pipe as required and adjust to pipe fall.

DOMESTIC BOLTED CLIPS

PIPE CLIP HEADS

Galvanised | Stainless Steel | Gas Pipe Clip Heads and Brackets

BSP PIPE CLIP HEADS	ITEM CODE NO.	ITEM DESCRIPTION & SIZE	BOX QTY	MATERIAL SIZE
	0012	B/C Gal NB15 15mm	20	1.2 x 20mm
	0013	B/C Gal NB20 20mm	20	1.2 x 20mm
	0014	B/C Gal NB25 25mm	20	1.2 x 20mm
	0015	B/C Gal NB32 32mm	20	1.2 x 20mm
	0016	B/C Gal NB40 40mm	20	1.5 x 20mm
	0017	B/C Gal NB50 50mm	20	2.0 x 20mm
	0018	B/C Gal NB65 65mm	20	2.0 x 20mm
	0019	B/C Gal NB80 80mm	20	2.0 x 20mm
	0020	B/C Gal NB100 100mm	20	2.0 x 20mm
	0021	B/C Gal NB150 150mm	20	2.4 x 20mm
STAINLESS STEEL PIPE CLIP HEADS	ITEM CODE NO.	ITEM DESCRIPTION & SIZE	BOX QTY	MATERIAL SIZE
	0090	SS Pipe Clip Head DN15 15mm	20	1.2 x 20mm
	0091	SS Pipe Clip Head DN20 20mm	20	1.2 x 20mm
	0092	SS Pipe Clip Head DN25 25mm	20	1.2 x 20mm
	0093	SS Pipe Clip Head DN32 32mm	20	1.2 x 20mm
	0094	SS Pipe Clip Head DN40 40mm	20	1.5 x 20mm
	0095	SS Pipe Clip Head DN50 50mm	20	1.5 x 20mm
GAS PIPE CLIP HEADS AND BRACKETS	ITEM CODE NO.	ITEM DESCRIPTION & SIZE	BOX QTY	MATERIAL SIZE
	0070	G&F C/H Steelriser 15mm Yellow	1	1.2 x 20mm
	0285	G&F C/H DN20 CU Riser Yellow	1	1.2 x 20mm
	0286	G&F C/H Steelriser 25mm Yellow	1	1.2 x 20mm
	0087	G&F W'board Shank Yellow	1	5.0 x 20mm
	0071	G&F Shank 250mm	1	5.0 x 20mm
	0283	G&F C/H Steelriser 20mm Yellow	1	1.2 x 20mm

RECOMMENDED PIPE CLIP SUPPORT TABLE

NOMINAL COPPER/STEEL PIPE SIZE	MAXIMUM SPACING OF BRACKETS & CLIPS (METRES)	NOMINAL PLASTIC PIPE SIZE	MAXIMUM SPACING OF BRACKETS & CLIPS (METRES)	
			HORIZONTAL	VERTICAL
DN20	1.5	DN20	.70	1.40
DN25	2.0	DN25	.75	1.50
DN32	2.5	DN32	.85	1.70
DN40	2.5	DN40	.90	1.80
DN50	3.0	DN50	1.05	2.10
DN65	3.0	DN65	1.20	2.40
DN80	4.0	DN80	1.30	2.60
DN90	4.0	DN90	1.40	2.80
DN100	4.0	DN100	1.50	3.00
DN125	4.0	DN125	1.70	3.40
DN150	4.0	DN150	2.00	4.00

Disclaimer

The information in this publication has been assembled for guidance only. Care has been taken to ensure accuracy, but no liability can be accepted for any consequences which may arise as a result of its application.

DN - Diameter Nominal NB - Nominal Bore

DOMESTIC BOLTED CLIPS

BRACKETS & SHANKS

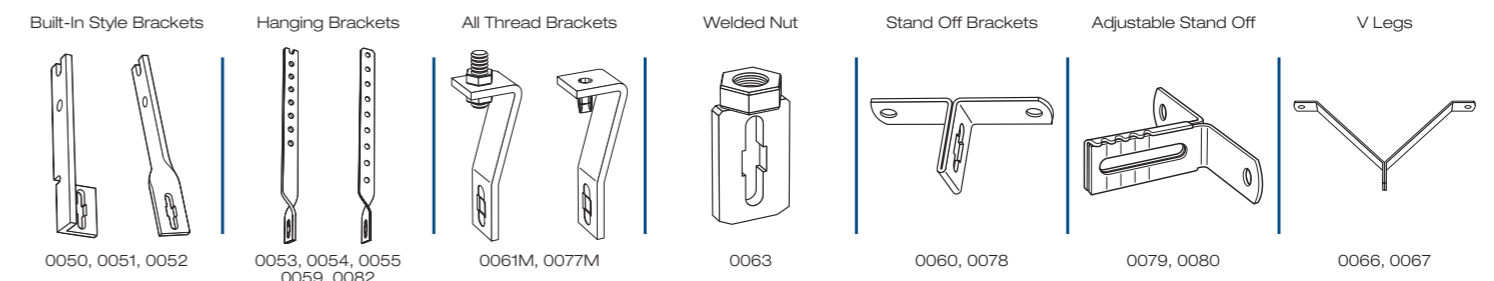
Brackets and Shanks | Stainless Steel Brackets and Shanks

Abey's range of interchangeable brackets and shanks enable pipe installation for all applications.

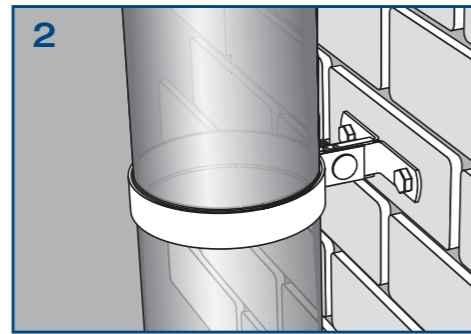
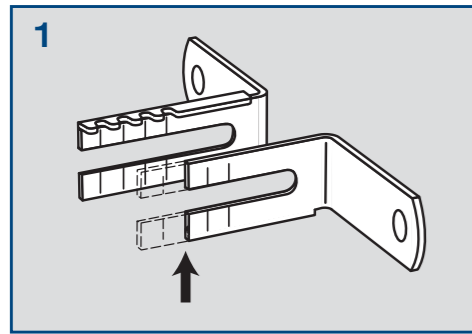


BRACKETS & SHANKS	ITEM CODE NO.	ITEM DESCRIPTION & SIZE	BOX QTY	MATERIAL SIZE
	0050	Bolted Clip Shank 100mm	25	4.0 x 20mm
	0051	Bolted Clip Shank 150mm	25	3.0 x 20mm
	0052	Bolted Clip Shank 225mm	25	3.0 x 20mm
	0053	Bolted Clip Shank 300mm	25	3.0 x 20mm
	0054	Bolted Clip Shank 450mm	10	3.0 x 20mm
	0055	Bolted Clip Shank 600mm	10	3.0 x 20mm
	0058	Extension Arm 300mm	50	1.5 x 22mm
	0059	Light Hanging Bracket 300mm	50	1.5 x 20mm
	0082	Light Hanging Bracket 600mm	10	1.5 x 20mm
	0060	Stand Off Bracket	50	2.0 x 20mm
	0078	Stand Off Bracket Coated	50	2.0 x 20mm
	0080	Adjustable Stand Off Bracket	25	2.0 x 22mm
	0079	Adjustable Stand Off Bracket Coated	25	2.0 x 22mm
	0061M	All Thread Bracket 10mm	50	4.0 x 23mm
	0077M	All Thread Bracket Coated 10mm	50	4.0 x 23mm
	5061	All Thread Bracket W/nut 10mm	50	4.0 x 23mm
	0063	Welded Nut 10mm	50	4.0 x 20mm
	0066	'V' Legs	20 pr	1.5 x 20mm
	0067	'V' Legs Nylon	20 pr	1.5 x 20mm
	0068	Nuts & Bolts 7 x 25mm Shank	100	7.0 x 25mm
0069	Nuts & Bolts 6 x 13mm Ext	100	6.0 x 13mm	
0084	Tube Spanner	1		
STAINLESS STEEL	ITEM CODE NO.	ITEM DESCRIPTION & SIZE	BOX QTY	MATERIAL SIZE
	0059S	SS Hanging Bracket 300mm	20	1.5 x 20mm
	0061S	SS All Thread Brackets 10mm	20	3.0 x 23mm
	0080S	SS Adj Stand Off Bracket	20	1.5 x 22mm

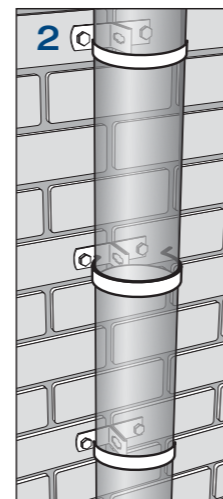
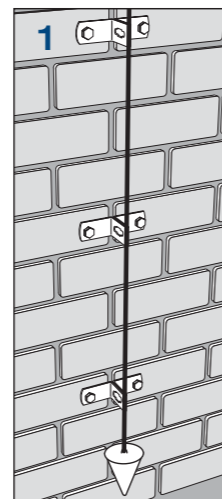
INTERCHANGEABLE CLIPPING SYSTEM



DOMESTIC BOLTED CLIPS



1 Abey's Adjustable Stand Off Bracket comes in two pieces. Simply measure distance for pipe to stand off wall, and snap off bracket at appropriate size. **2** Bracket is then simply used as a normal stand off bracket.

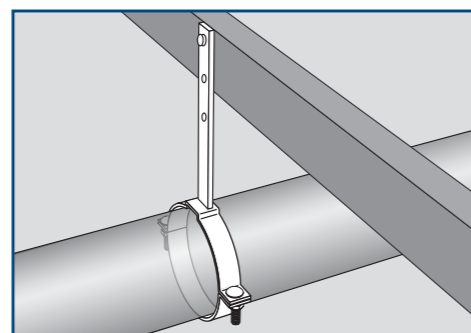
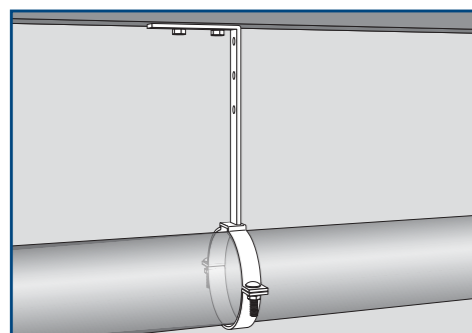


1 Abey's Stand Off Bracket is simple to align using a plumb bob. **2** Suitable pipe clips and pipe can then be simply attached, leaving the stand off brackets neatly hidden behind pipe.

HANGING CLIPS

DWV Pipe 450mm Shank

A versatile hanging clip for domestic uses, strap can be simply cut to length to support most pipes. Manufactured from high quality G2-227S galvanised steel with no welds, which reduces the risk of corrosion.



Hanging clips can be bent and fixed to concrete slab at 2 points (above left), or fixed directly into bearer (above right). Simply trim to length.



DWV PIPE 450MM SHANK	ITEM CODE NO.	ITEM DESCRIPTION & SIZE	BOX QTY	MATERIAL SIZE
	0150	Hanging Clip DWV 40mm	20	1.5 x 20mm
	0151	Hanging Clip DWV 50mm	20	1.5 x 20mm
	0152	Hanging Clip DWV 65mm	20	1.5 x 20mm
	0153	Hanging Clip DWV 80mm	20	1.5 x 20mm
	0156	Hanging Clip DWV 90mm	20	1.5 x 20mm
	0154	Hanging Clip DWV 100mm	20	1.5 x 20mm

SPECIALTY PLASTIC PLUMBING PRODUCTS

SPECIALTY PLASTIC PLUMBING PRODUCTS

Single/Double/Triple Bowl Space Saver Kits | Increases & Reducers | Plug & Waste Extensions | Laundry Accessories

Abey's plastic plumbing products offer easy solutions for time consuming projects, allowing you the flexibility to hook up to a pipe outlet at any angle and to solve those narrow, hard to get at and off-skew plumbing connections.



(WC-CONQ)

SINGLE BOWL SPACE SAVER KITS	ITEM CODE NO.	ITEM DESCRIPTION & SIZE	BOX QTY
	6074	40mm Space Saver Kit Less P&W	1
	6075	50mm Space Saver Kit Less P&W	1
DOUBLE BOWL SPACE SAVER KITS	ITEM CODE NO.	ITEM DESCRIPTION & SIZE	BOX QTY
	6070	DbI Bowl Adjustable Sp Sav 90mm Str	1
	6073	DbI Bowl Adj Sp Sav W/50mm Str	1
	6072	DbI Bowl Adj Sp Sav 50mm Less P&W	1
TRIPLE BOWL SPACE SAVER KITS	ITEM CODE NO.	ITEM DESCRIPTION & SIZE	BOX QTY
	6076	Spacesaver Kit Triple Bowl	1
INCREASERS & REDUCERS	ITEM CODE NO.	ITEM DESCRIPTION & SIZE	BOX QTY
	T12C	50mm x 40mm Reducer	1
	T12E	40mm x 50mm Increaser	1
PLUG & WASTE EXTENSIONS	ITEM CODE NO.	ITEM DESCRIPTION & SIZE	BOX QTY
	EXT20	50mm x 20mm P&W Extension	1
	EXT45	50mm x 45mm P&W Extension	1
	EXT75	50mm x 75mm P&W Extension	1
LAUNDRY ACCESSORIES	ITEM CODE NO.	ITEM DESCRIPTION & SIZE	BOX QTY
	LB70	Laundry By Pass 70 Litre	1
	6060	Sink Overflow Pipe	1
	6061	Stainless Steel Basin Button	1

SPECIALTY PLASTIC PLUMBING PRODUCTS

SPECIALTY PLASTIC PLUMBING PRODUCTS

Bottle Traps | Brass Bottle Traps | Air Admittance Valves
WC Connectors | Flexible Waste Connectors

Abey's extensive range of Bottle Traps, Air Admittance Valves and WC Connectors allow greater design flexibility and reduce material and labour costs, they also eliminate the challenges of tight spaces.



BOTTLE TRAPS	ITEM CODE NO.	ITEM DESCRIPTION & SIZE	BOX QTY
	C10V	Bottle Trap Anti-syphon 40mm	1
	C10AV	Bottle Trap Anti-syphon Adj 40mm	1
	C10AR	Bottle Trap Resealing Adj 40mm	1
	C10AR-CP	Bot.trap Resealing Adj Chrome 40mm	1
	C10IK	Bottle Trap Chrome Installation Kit	1
	TP10V	Trap S&P With Positive Seal 40mm	1
BRASS BOTTLE TRAPS	ITEM CODE NO.	ITEM DESCRIPTION & SIZE	BOX QTY
	A32CP	Bottle Trap Brass Chrome 32mm	1
AIR ADMITTANCE VALVES	ITEM CODE NO.	ITEM DESCRIPTION & SIZE	BOX QTY
	VP100	100mm Air Admittance Valve	1
	VP50	50mm Air Admittance Valve	1
	VP25-2.00	50mm Air Admittance Valve W/socket	1
	VP2	40mm Air Admittance Valve	1
WC CONNECTORS	ITEM CODE NO.	ITEM DESCRIPTION & SIZE	BOX QTY
	WC-CONQ	Space Saving Pan Bends	1
	WC-CON4A	40mm Offset WC Connector	1
	WC-F23R	WC Flexible Connector	1
	WC-CON1	WC Straight Connector	1
FLEXIBLE WASTE CONNECTORS	ITEM CODE NO.	ITEM DESCRIPTION & SIZE	BOX QTY
	FLXT19UP	40mm Trap Connector	1
	FLXZ22UP	50mm Trap Connector	1
	FLXT19UU	40mm Pipe Joiner	1
	FLXZ22UU	50mm Pipe Joiner	1
	FLXT40SU	40mm Waste Connector	1
	FLXZ40SU	50mm Waste Connector	1

ABEY VENTAPIPE AAVs

Abey's Ventapipe Air Admittance Valves – VP2, VP25.2.00, VP50, and VP100 – are for use in above ground drainage systems and enable ventilating pipes to be terminated within the building. Thus avoiding roof penetrations and allowing greater flexibility in the design of new systems or when installing additional fixtures to existing systems.



Abey Ventapipe Air Admittance Valves:

- Prevent the release of foul air
- Reduce the risk of siphonage
- Can be used in most internal situations in both new and existing systems
- Allow greater systems design flexibility
- Reduce material and labour costs

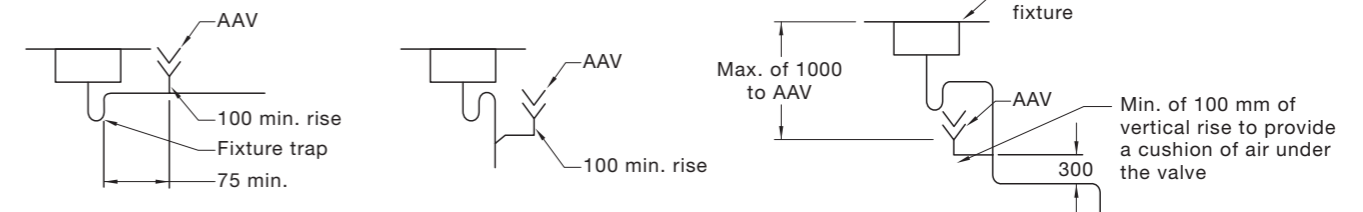
AS/NZS4936



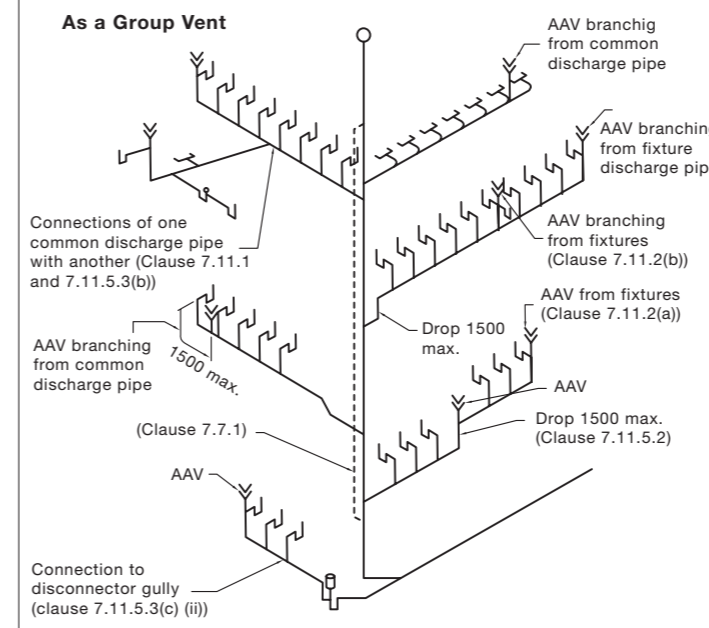
License No. W20035

ABEY AIR ADMITTANCE AAVS	VP2 40mm	VP25.2.00 50mm	VP50 50mm	VP100 100mm
Airflow capacity at -250+/-10pa	9 litres/sec	9 litres/sec	10 litres/sec	45 litres/sec
Max. fixture unit loading – discharge pipes	136	136	168	-
Max. fixture unit loading – discharge stacks	8	8	10	213

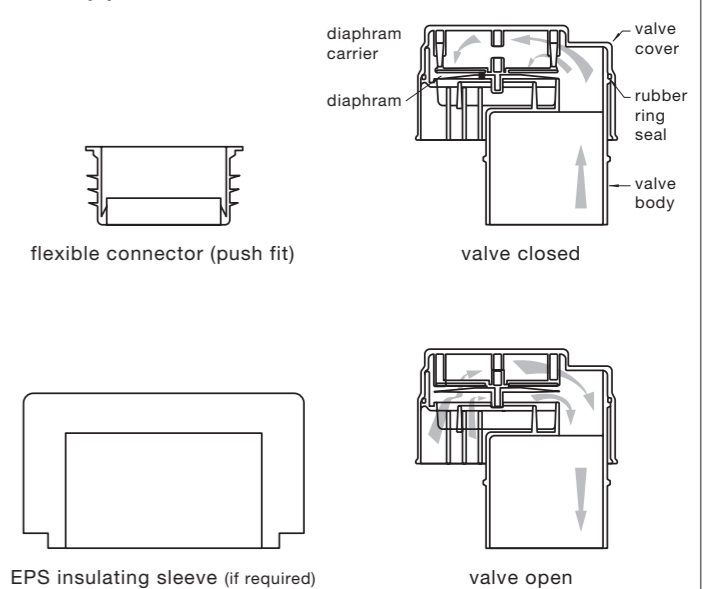
As a Trap Vent



As a Group Vent



Ventapipe Air Admittance Valve



SPECIALTY PLASTIC PLUMBING PRODUCTS

SPECIALTY PLASTIC PLUMBING PRODUCTS

ABEY RANGEHOOD FLUE KITS

More hygienic

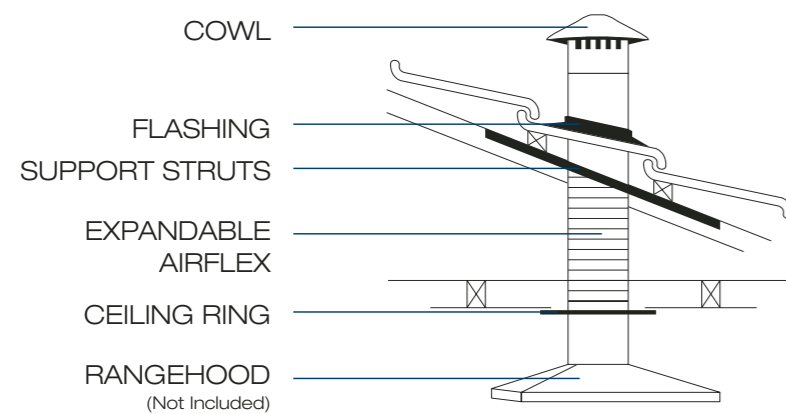
Over time, cooking gases expelled from the typical rangehood build up on the surfaces in your roof creating an unhygienic environment. Abey's Rangehood Flue Kit allows you to expel cooking gases and smells outside your house completely.

Safer

With build up of grease and grime over years of cooking and using your rangehood, the potential of a fire spreading from the pan while cooking and racing up the rangehood is great. Inferior plastic flueing will support combustion. Abey Rangehood Flue Kits are of metal construction and will not support combustion, making Abey the safer option.

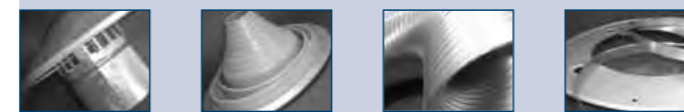
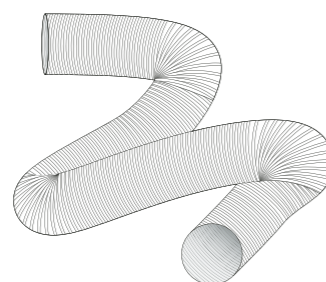
Easy to install

Abey Rangehood Flue Kits contain all components necessary for their total installation. Available in 3 all inclusive kit forms to suit your specific applications. Two vertical kits to suit metal and tile roofs, and one horizontal kit for finishing on external walls.



EXPANDABLE AIRFLEX

Expandable Airflex can be bent into shape around any roof obstruction and expand to 3 metres in length. Available in 100mm, 125mm and 150mm diameter.



VERTICAL KIT – TILED ROOF

Kit Contains

- 3.4 metres of 125mm Airflex
- 125mm Cowl
- Roof flashing for tile roof
- Ceiling ring
- 2 Angle support struts

Product Reference

- RHVT5 – Vertical kit 125mm (Suit tile roof)
- RHVS5 – Vertical kit 125mm (Suit steel roof)
- RHV6 – Vertical kit 150mm (No flashing)
- RHV5 – Horizontal kit 125mm

- 100AF 3000 – 100mm x 3m Airflex
- 125AF 3000 – 125mm x 3m Airflex
- 150AF 3000 – 150mm x 3m Airflex

EASY HOOKERS

WATER HOOKERS

Flex Cone 8mm | Flex Cone 8mm DWV Coated | Elbow Hookers
Flat Seats 8mm

Abey is Australia's leading manufacturer, importer and distributor of flexible connectors and the first company to introduce and distribute the original Easy Hooker flexible connectors to the country. Their new Super Hooker, made from 304 stainless steel braiding encased with an additional PVC coating, helps to eliminate external corrosion problems found in wet environments.



FLEX CONE 8MM	ITEM CODE NO.	ITEM DESCRIPTION & SIZE	BOX QTY
	AQ2400	Easy Hooker 8 x 225mm 1/2 FI/c	1
	AQ2401	Easy Hooker 8 x 300mm 1/2 FI/c	1
	AQ2402	Easy Hooker 8 x 450mm 1/2 FI/c	1
	AQ2404	Easy Hooker 8 x 600mm 1/2 FI/c	1
	AQ2405	Easy Hooker 8 x 750mm 1/2 FI/c	1
	AQ2407	Easy Hooker 8 x 1.0m 1/2 FI/c	1
	AQ2409	Easy Hooker 8 x 1.5m 1/2 FI/c	1
FLEX CONE 8MM PVC COATED	ITEM CODE NO.	ITEM DESCRIPTION & SIZE	BOX QTY
	AQ2401/PVC	8mm 300mm PVC 1/2 FI/c-1/2 FI/c	1
	AQ2402/PVC	8mm 450mm PVC 1/2 FI/c-1/2 FI/c	1
ELBOW HOOKERS	ITEM CODE NO.	ITEM DESCRIPTION & SIZE	BOX QTY
	AQ2580	Easy Hooker Elb 8 x 225mm 1/2FI/c-1/2fi	1
	AQ2581	Easy Hooker Elb 8 x 300mm 1/2FI/c-1/2fi	1
	AQ2582	Easy Hooker Elb 8 x 450mm 1/2FI/c-1/2fi	1
	AQ2584	Easy Hooker Elb 8 x 600mm 1/2FI/c-1/2fi	1
FLAT SEATS 8MM	ITEM CODE NO.	ITEM DESCRIPTION & SIZE	BOX QTY
	AQ2140	E/H 8 x 225mm x 1/2 Flat	1
	AQ2141	E/H 8 x 300mm 1/2 Flat	1
	AQ2142	E/H 8 x 450mm 1/2 Flat	1
	AQ2144	E/H 8mm x 600mm 1/2br/f-1/2br/f	1

EASY HOOKERS

WATER HOOKERS

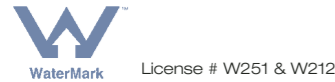
Brass Cone 10mm | Flat Seats 20mm | Single Lever Mixer Hose



BRASS CONE 10MM	ITEM CODE NO.	ITEM DESCRIPTION & SIZE	BOX QTY
	AQ1000	E/H 10 x 225mm 1/2 Br/c-1/2 Br/c	1
	AQ1001	E/H 10 x 300mm 1/2 Br/c-1/2 Br/c	1
	AQ1002	E/H 10 x 450mm 1/2 Br/c-1/2 Br/c	1
	AQ1004	E/H 10 x 600mm 1/2 Br/c-1/2 Br/c	1
	AQ1005	E/H 10 x 750mm 1/2 Br/c-1/2 Br/c	1
	AQ1007	E/H 10 x 1000mm 1/2 Br/c-1/2 Br/c	1
	AQ1009	E/H 10 x 1500mm 1/2 Br/c-1/2 Br/c	1
	FLAT SEATS 20MM	ITEM CODE NO.	ITEM DESCRIPTION & SIZE
	AQ5043	E/H 20mm x 500mm 3/4 br/f-3/4 Br/f	1
	AQ5047	E/H 20mm x 1.0m 3/4 br/f-3/4 Br/f	1
	AQ5049	E/H 20mm x 1.5m 3/4 br/f-3/4 Br/f	1
SINGLE LEVER MIXER HOSE	ITEM CODE NO.	ITEM DESCRIPTION & SIZE	BOX QTY
	AQ2832/B	E/H 8mm x 350mm 12mm Fx Sm10 Blue	1

DISHWASHER/WASHING MACHINE HOSES

10mm Stainless Steel | 10mm Nylon
Flex Cone Olive (Female) 8mm | Flex Cone Olive (Male) 8mm



10MM STAINLESS STEEL	ITEM CODE NO.	ITEM DESCRIPTION & SIZE	BOX QTY
	AQ1383	10 x 1.5m 3/4 SS Dishwash Hose	1
	AQ1384	10 x 2.0m 3/4 SS Dishwash Hose	1
10MM NYLON	ITEM CODE NO.	ITEM DESCRIPTION & SIZE	BOX QTY
	AQ1383N	10mm 1500mm 3/4f-3/4 Elbow Nylon	1
	AQ1384N	10mm 2000mm 3/4f-3/4 Elbow Nylon	1
FLEX CONE BSP COMPRESSION	ITEM CODE NO.	ITEM DESCRIPTION & SIZE	BOX QTY
	AQ2501	Easy Hooker 8 x 300mm 1/2 Comp	1
	AQ2502	Easy Hooker 8 x 450mm 1/2 Comp	1
FLEX CONE BSP (MALE)	ITEM CODE NO.	ITEM DESCRIPTION & SIZE	BOX QTY
	AQ2601	Easy Hooker 8 x 300mm 1/2 MI BSP	1
	AQ2602	Easy Hooker 8 x 450mm 1/2 MI BSP	1

EASY HOOKERS

GAS HOOKERS

Brass Cone (Female) 10mm | Brass Cone (Female) 20mm
Brass Cone (Male) 15mm | Brass Cone (Male) 20mm
Bayonets (Female) 10mm | Bayonets (Female) 15mm

Gas Approval # AGA5516 & AGA5588

BRASS CONE (FEMALE) 10MM	ITEM CODE NO.	ITEM DESCRIPTION & SIZE	BOX QTY
	PN2000	10mm 320mm 1/2 Br/c-1/2 Br/c G	1
	PN2001	10mm 450mm 1/2 Br/c-1/2 Br/c G	1
	PN2002	10mm 600mm 1/2 Br/c-1/2 Br/c G	1
	PN2003	10mm 900mm 1/2 Br/c-1/2 Br/c G	1
	PN2004	10mm 1000mm 1/2 Br/c-1/2 Br/c G	1
	PN2005	10mm 1200mm 1/2 Br/c-1/2 Br/c G	1
BRASS CONE (FEMALE) 20MM	ITEM CODE NO.	ITEM DESCRIPTION & SIZE	BOX QTY
	PN5001	20mm 450mm 3/4 Br/c-3/4 Br/c G	1
	PN5002	20mm 600mm 3/4 Br/c-3/4 Br/c G	1
	PN5004	20mm 1000mm 3/4 Br/c-3/4 Br/c	1
	PN5006	20mm 1500mm 3/4 Br/c-3/4 Br/c G	1
BRASS CONE (MALE) 15MM	ITEM CODE NO.	ITEM DESCRIPTION & SIZE	BOX QTY
	PN4010	15mm 320mm 1/2 Br/c-1/2 MI G	1
	PN4012	15mm 600mm 1/2 Br/c-1/2 MI G	1
	PN4013	15mm 900mm 1/2 Br/c-1/2 MI G	1
	PN4015	15mm 1200mm 1/2 Br/c-1/2 MI G	1
BRASS CONE (MALE) 20MM	ITEM CODE NO.	ITEM DESCRIPTION & SIZE	BOX QTY
	PN5012	20mm 600mm 3/4 Br/c-3/4 MI G	1
	PN5014	20mm 1000mm 3/4 Br/c-3/4 MI G	1
	PN5015	20mm 1200mm 3/4 Br/c-3/4 MI G	1
	PN5016	20mm 1500mm 3/4 Br/c-3/4 MI G	1
BAYONETS (FEMALE) 10MM	ITEM CODE NO.	ITEM DESCRIPTION & SIZE	BOX QTY
	PN2110	10mm 320mm Bay-1/2 Br/c G	1
	PN2113	10mm 900mm Bay-1/2 Br/c G	1
	PN2115	10mm 1200mm Bay-1/2 Br/c G	1
BAYONETS (FEMALE) 15MM	ITEM CODE NO.	ITEM DESCRIPTION & SIZE	BOX QTY
	PN4083	15mm 900mm Bay-1/2 Br/c G	1
	PN4085	15mm 1200mm Bay-1/2 Br/c G	1

ABEY EASY HOOKERS – THE EASY CONNECTION

WATER END FITTINGS	Guarantee	8mm	10mm	15mm	20mm	26mm	332mm	40mm
Flex Cone (BSP)	5 years	1/2"	1/2"	-	-	-	-	-
Flat Seat (BSP)	5 years	3/8"	1/2"	1/2"	3/4"	1"	1 1/4"	1 1/2"
		1/2"	3/4"	3/4"				
Male Taper (BSP)	5 years	1/8"	3/8"	1/2"	3/4"	1"	1 1/4"	1 1/2"
		1/4"	1/2"	-	-	-	-	-
		3/8"	-	-	-	-	-	-
		1/2"	-	-	-	-	-	-
Mixer Tap Male (Metric)	3 years	M10XI	M12XI	-	-	-	-	-
Brass Female Cone	5 years	1/4"	3/8"	1/2"	3/4"	1"	-	-
		3/8"	1/2"	-	-	-	-	-
		1/2"	-	-	-	-	-	-
Flex Cone Elbow (BSP)	5 years	1/2"	-	-	-	-	-	-
Copper Union	5 years	1/2" copper	1/2" copper	-	-	-	-	-
Dishwasher Hose (S/S)	5 years	-	3/4" nylon	-	-	-	-	-
Dishwasher Hose (Nylon)	3 years	-	3/4" nylon	-	-	-	-	-

GAS END FITTINGS	Guarantee	8mm	10mm	15mm	20mm
Brass Female Cone (BSP)	3 years	1/4"	3/8"	1/2"	3/4"
		3/8"	1/2"	-	-
		1/2"	-	-	-
Male Taper (BSP)	3 years	1/8"	3/8"	1/2"	3/4"
		1/4"	1/2"	-	-
		3/8"	-	-	-
		1/2"	-	-	-
Bayonet Fitting	3 years	-	yes	yes	-

Easy Hookers for Water

AS3499 – Yes
 Watermark – LIC. NO. W251 & W212
 Date Coding – Yes
 Operating temperature – 1°C to 95°C
 Liner – EPDM
 Braid – 304 S/S
 Ferrules – 304 S/S
 Fittings – Nickel plated D.R. Brass

HOSE I.D.	HOSE O.D.	WORKING PRESSURE	
mm	mm	kPa	PSI
8	12	3150	450
10	15	2450	350
15	22	2275	325
20	28	2100	300
26	35	1750	250
32	43	1400	200
40	53	875	125

Easy Hookers for Town Gas, Natural Gas & L.P. Gas

AS1869 – Yes
 Approval: AGASS16 & SS88
 Date Coding – Yes
 Liner – Nitrile
 Braid – 304 S/S
 Ferrules – 304 S/S
 Fittings – Nickel plated Brass
 Internal Spring – 15 & 20mm only

HOSE I.D.	HOSE O.D.	CLASS	APPROVAL
mm	mm		
8	10	D	AGA5516
10	15	D	AGA5516
15	22	B	AGA5588
20	28	B	AGA5588