

# 1194

Ball valve,  
full flow,  
T handle



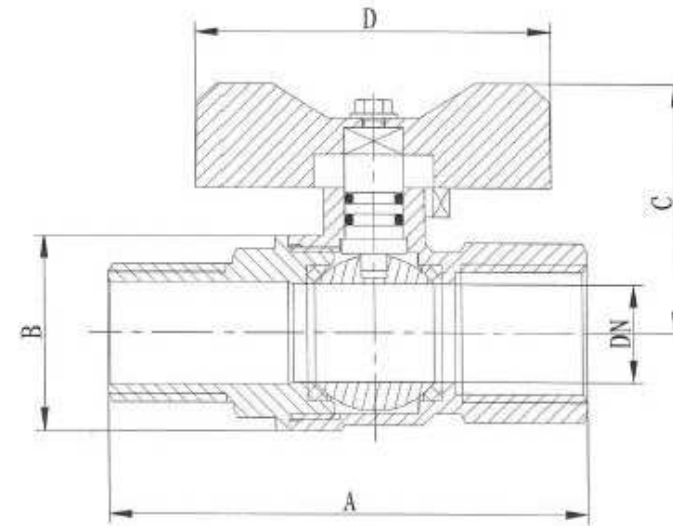
Suitable for water services,  
heating and air-conditioning  
plants, compressed air systems

minimum and maximum working temperature:  
-10°C ,120°C .

Threads:

ISO228(equivalent to DIN259 and BS2779)

opening/closing tests: 10000 times



Dimension in mms	1/4"	3/8"	1/2"	3/4"	1"	1 1/4"	1 1/2"	2"	2 1/2"	3"	4"
A			68	74	86.5						
B			29.5	35	42.7						
C			38.8	42.2	50						
D			54	54	62						
DN			14.8	19	24						
PN			25	25	25						