

1095



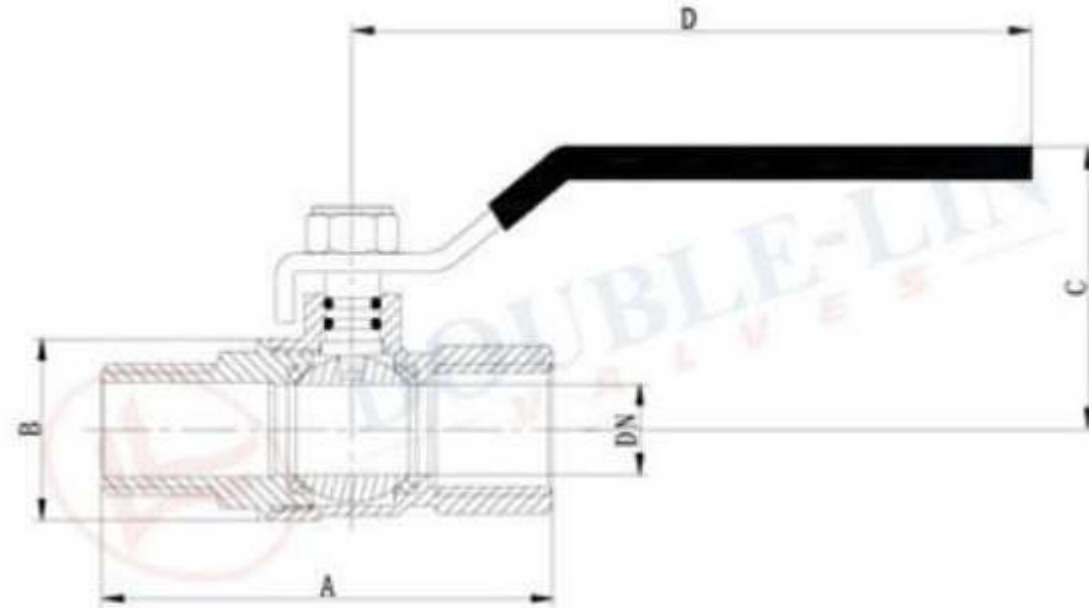
Ball valve, full flow,
flat lever handle,
male/female
long threads

minimum and maximum working temperature:
-10°C ,120°C .

Threads:

ISO228(equivalent to DIN259 and BS2779)

opening/closing tests: 10000 times



Dimension in mms	1/4"	3/8"	1/2"	3/4"	1"	1 1/4"	1 1/2"	2"	2 1/2"	3"	4"
A	54.8	55.3	68	74	86.5	102	111	131			
B	23	23	29.5	35	42.7	53	63	79			
C	39.2	39.8	54.2	57.6	60.6	75.8	81.3	88.5			
D	87	87	95	95	126	140	140	165			
DN	9	10	14.8	19	24	30.2	37	47			
PN	25	25	25	25	25	25	25	25			

Suitable for water services,
heating and air-conditioning
plants, compressed air systems