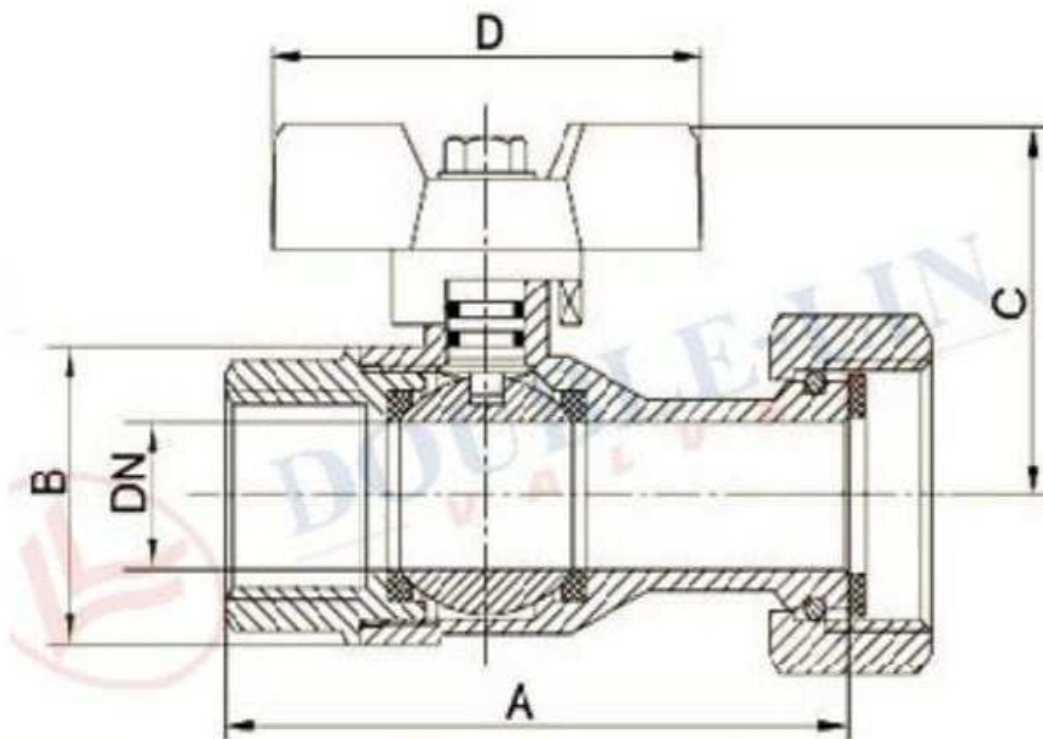


1089 | Female Swivel Nut



Suitable for water services, heating and air-conditioning plants, compressed air systems
minimum and maximum working temperature:
-30°C, 95°C.

Threads:

ISO228(equivalent to DIN259 and BS2779)

opening/closing tests: 20000 times.

Dimension in mms	1/2"X3/4"	3/4"X3/4"
A	62	67
B	29.5	35
C	38.8	42.2
D	54	54
DN	14.8	19
PN	25	25