

1063



Ball valve, full flow,
flat lever handle,
female /female
long threads

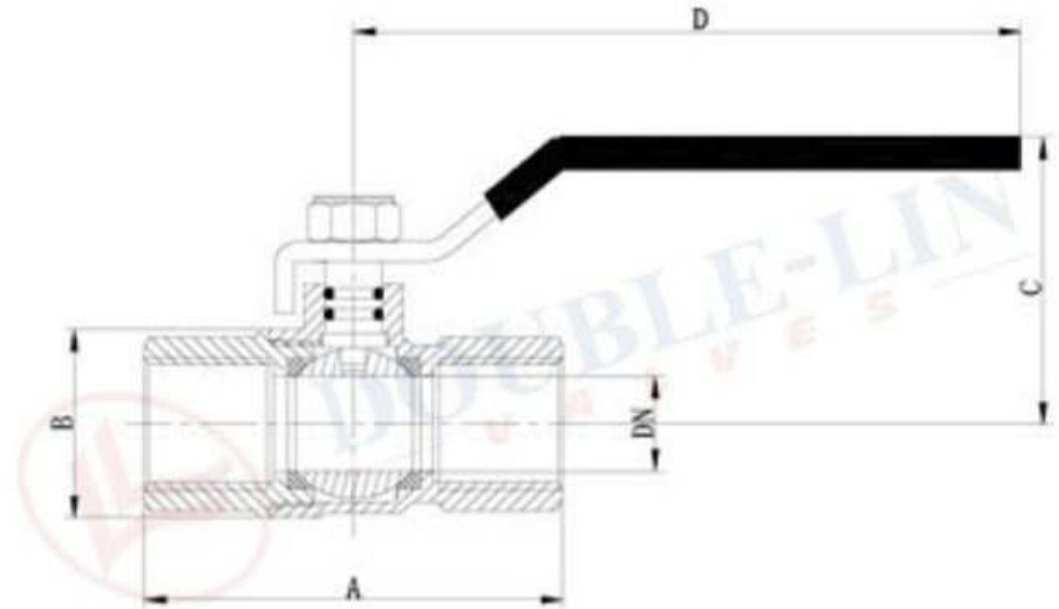


minimum and maximum working temperature:
-10°C ,120°C .

Threads:

ISO228(equivalent to DIN259 and BS2779)

opening/closing tests: 10000 times



Dimension in mms	1/4"	3/8"	1/2"	3/4"	1"	1 1/4"	1 1/2"	2"	2 1/2"	3"	4"
A	47	47.8	61.4	69	79	95	101	119	143	165	190
B	23	23	29.5	35	42.7	53	63	79	102.5	120.5	144.5
C	39.2	39.8	54.2	57.6	60.6	75.8	81.3	88.5	121.5	129.5	141
D	87	87	95	95	126	140	140	165	224	224	283.5
DN	9	10	14.8	19	24	30.2	37	47	62	74	90
PN	25	25	25	25	25	25	25	25	25	25	25

Suitable for water services,
heating and air-conditioning
plants, compressed air systems