

1036

Ball valve, full flow,
male/male threads

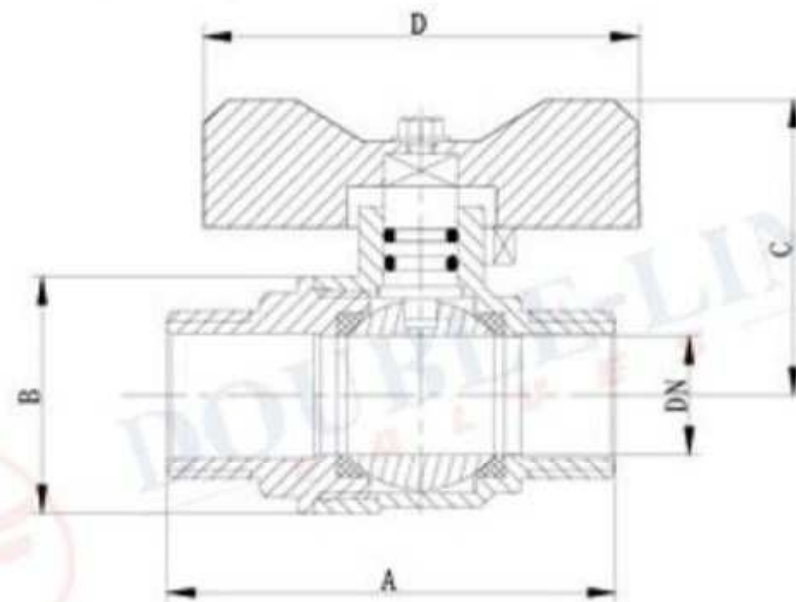


minimum and maximum working temperature:
-10°C , 120°C .

Threads:

ISO228(equivalent to DIN259 and BS2779)

opening/closing tests: 10000 times



Suitable for water services,
heating and air-conditioning
plants, compressed air systems

Dimension in mms	1/4"	3/8"	1/2"	3/4"	1"	1 1/4"	1 1/2"	2"	2 1/2"	3"	4"
A			59.2	65.8	77.5						
B			29.5	35	42.7						
C			38.8	42.2	50						
D			54	54	62						
DN			14.8	19	24						
PN			25	25	25						